

LEAD FREE*

Model SSPV20DP

Pressure Relief, Sustaining or Backpressure Pilot

Size: 1/2" NPT

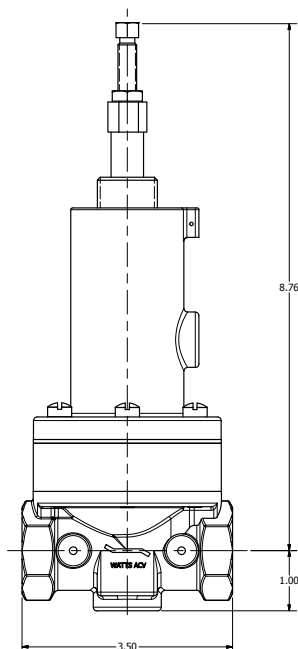
The Model SSPV20DP is a remote sensed, diaphragm actuated Pilot that is used for maintaining a constant differential.

It is normally held closed by the force of the adjustable spring and low (downstream) pressure above the diaphragm. The high (upstream) pressure is pushing the pilot open. The pilot modulates toward an open position as the differential pressure increases, in turn relieving the main valve cover pressure and modulating the main valve open to maintain the differential set pressure. As the differential pressure decreases, the pilot modulates toward a closed position, building pressure in the main valve cover and closing the main valve.

The SSPV20DP senses high control pressure through a tapped port below the diaphragm and the low pressure through a taped port in the spring cage. The large diaphragm-to-seat ratio allows it to open and close within close pressure tolerances, accurately positioning the Main Valve.

Turning the adjustment screw clockwise raises the differential setpoint. Turning the adjustment screw counterclockwise lowers the differential setpoint.

The SSPV20DP is equipped with one 1/2" NPT inlet and outlet port, a 1/4" NPT side sensing port located on the power chamber and a 1/4" NPT sensing port located in the cover. The 1/4" port in the power chamber is for sensing high (upstream) pressure and the 1/4" port in the cover is for sensing low (downstream) pressure.



SSPV20DP

Specifications

Size:	1/2" NPT
Body Material:	CF8M (316) Stainless Steel
Seat:	Stainless Steel
Elastomers:	Buna-N
Inlet Pressure Rating:	400psi maximum
Adjustment Range:	20-175 (standard) 0-30 (optional)

***The wetted surface of this product contacted by consumable water contains less than 0.25% of lead by weight.**

NOTICE

The information contained herein is not intended to replace the full product installation and safety information available or the experience of a trained product installer. You are required to thoroughly read all installation instructions and product safety information before beginning the installation of this product.

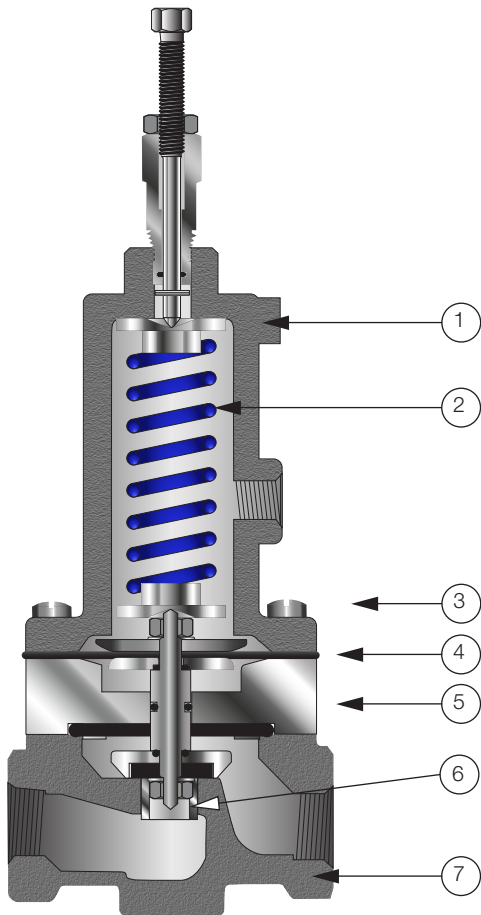
Watts product specifications in U.S. customary units and metric are approximate and are provided for reference only. For precise measurements, please contact Watts Technical Service. Watts reserves the right to change or modify product design, construction, specifications, or materials without prior notice and without incurring any obligation to make such changes and modifications on Watts products previously or subsequently sold.



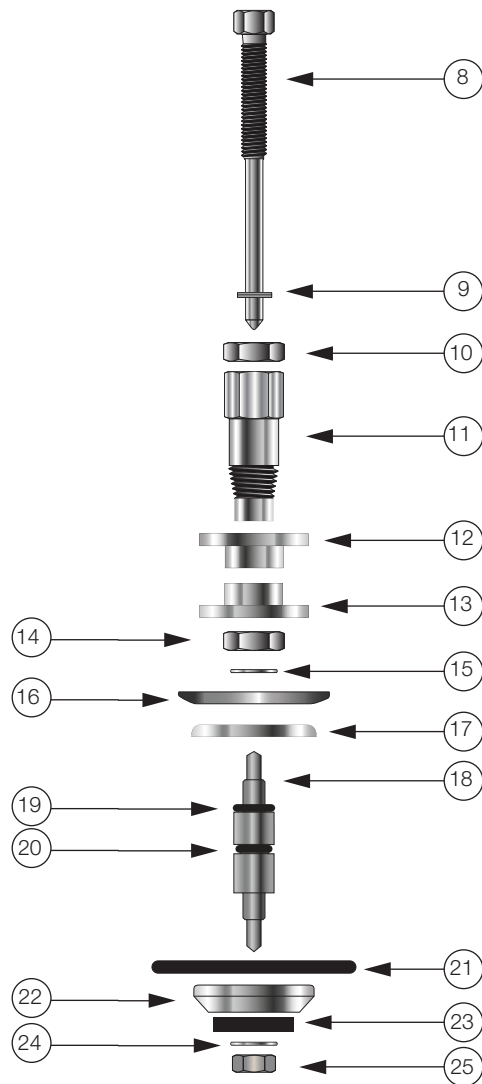
LEAD FREE*

Model SSPV20DP

Pressure Relief, Sustaining or Backpressure Pilot



ITEM	DESCRIPTION
1	Cover
2	Spring
3	Nut
4	Diaphragm
5	Power Chamber
6	Seat
7	Body, Machined



ITEM	DESCRIPTION
13	Lower Spring Guide
14	Nut
15	Lockwasher
16	Top Diaphragm Washer
17	Lower Diaphragm Washer
18	Stem
19	O-Ring*
20	O-Ring*
21	O-Ring*
22	Disc Retainer
23	O-Ring*
24	Lockwasher
25	Fillister Head Screw

*Included in Repair Kit



A Watts Water Technologies Company

USA: Tel: (713) 943-0688 • Fax: (713) 944-9445 • Watts.com

Canada: Tel: (905) 332-4090 • Fax: (905) 332-7068 • Watts.com

Latin America: Tel: (52) 81-1001-8600 • Fax: (52) 81-8000-7091 • Watts.com