

Engineering Specification

Job Name _____ Contractor _____
 Job Location _____ Approval _____
 Engineer _____ Contractor's P.O. No. _____
 Approval _____ Representative _____

RD-950 Stainless Steel Downspout Cover Specification

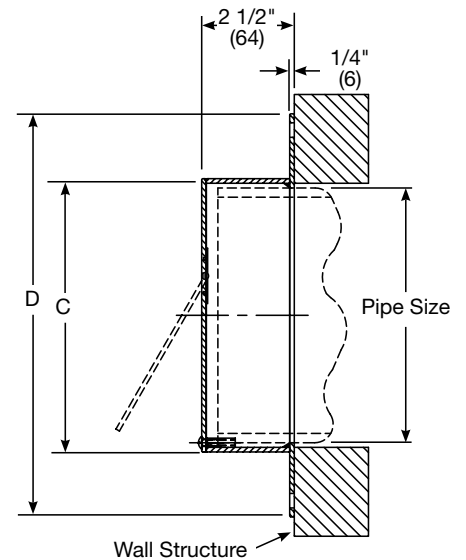
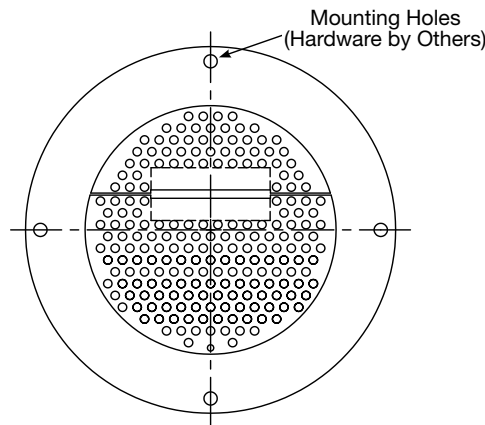
Watts RD-950 stainless steel downspout cover with securing flange, and secured perforated hinged cover.



Call customer service if you need assistance with technical details.

Pipe Sizing		
Suffix	Description	
3	3"(76) Pipe Size	<input type="checkbox"/>
4	4"(102) Pipe Size	<input type="checkbox"/>
6	6"(152) Pipe Size	<input type="checkbox"/>
8	8"(203) Pipe Size	<input type="checkbox"/>
10	10"(254) Pipe Size	<input type="checkbox"/>
12	12"(305) Pipe Size	<input type="checkbox"/>

Options		
Suffix	Description	
-6	Vandal Proof	<input type="checkbox"/>



NOTICE

The information contained herein is not intended to replace the full product installation and safety information available or the experience of a trained product installer. You are required to thoroughly read all installation instructions and product safety information before beginning the installation of this product.

Pipe Size	C	D	Free Area Sq. In.
3"(76)	4 1/4"(108)	7 3/4"(197)	1"(25)
4"(102)	5 1/4"(133)	8 3/4"(222)	2"(51)
6"(152)	7 3/8"(187)	10 7/8"(276)	3"(76)
8"(203)	9 3/8"(238)	12 7/8"(327)	10"(254)
10"(254)	11 1/2"(292)	15"(381)	18"(457)
12"(305)	13 1/2"(343)	17"(432)	26"(660)

Watts product specifications in U.S. customary units and metric are approximate and are provided for reference only. For precise measurements, please contact Watts Technical Service. Watts reserves the right to change or modify product design, construction, specifications, or materials without prior notice and without incurring any obligation to make such changes and modifications on Watts products previously or subsequently sold.



USA: T: (800) 338-2581 • Watts.com
Canada: T: (888) 208-8927 • Watts.ca
Latin America: T: (52) 55-4122-0138 • Watts.com

