

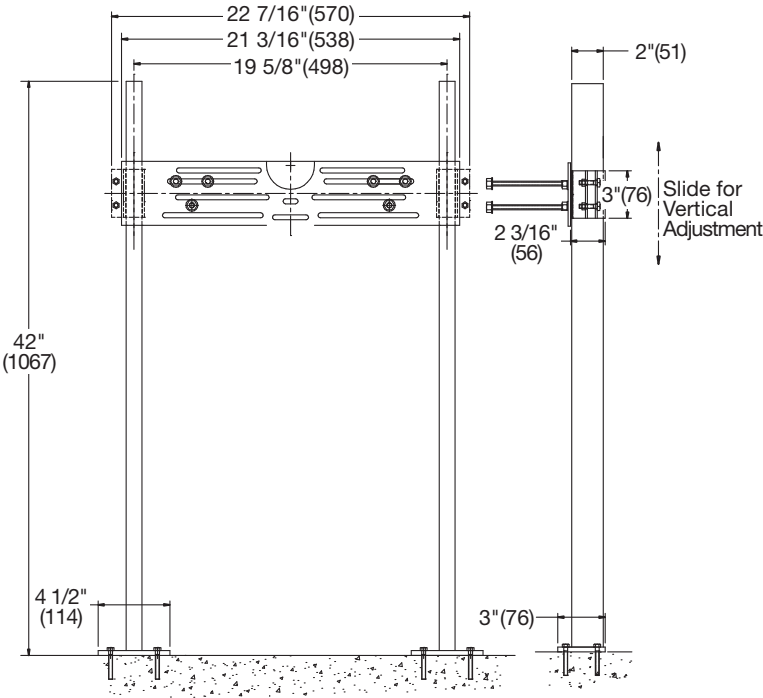
Engineering Specification

Job Name _____
 Job Location _____
 Engineer _____
 Approval _____
 Tag _____

Contractor _____
 Approval _____
 Contractor's P.O. No. _____
 Representative _____

CA-311 Floor Mounted Urinal Carrier Specification

Watts CA-311 epoxy coated floor mounted urinal carrier with heavy gauge steel offset uprights with welded feet, universal steel hanger support plate with integral mounting brackets and plated hardware.



Note: Anchor legs to concrete floor with minimum 1/2"(13) anchor bolts (by others).

Please refer to watts.com for BAA information on specific models.

NOTICE

The information contained herein is not intended to replace the full product installation and safety information available or the experience of a trained product installer. You are required to thoroughly read all installation instructions and product safety information before beginning the installation of this product.

Watts product specifications in U.S. customary units and metric are approximate and are provided for reference only. For precise measurements, please contact Watts Technical Service. Watts reserves the right to change or modify product design, construction, specifications, or materials without prior notice and without incurring any obligation to make such changes and modifications on Watts products previously or subsequently sold.

