

For Fire Protection Applications

Job Name _____

Contractor _____

Job Location _____

Approval _____

Engineer _____

Contractor's P.O. No. _____

Approval _____

Representative _____

Series 411

Swing Check Valve with Resilient Disc Seat

Sizes: 2" – 10" (50mm – 250mm)

Series 411 Swing Check Valves are UL Listed and FM approved in sizes 2" – 10" (50 – 250mm). Valves feature a full port, flanged cast iron body with a Buna-N resilient disc seat designed for use on fire mains and sprinkler systems. The valve operates automatically by opening on a hinge arm with flow and closing when flow stops or is reversed.

Features

- ASTM A126 Class B Cast Iron Body
- Buna-N disc ring
- Complies with ANSI B16.10 and ANSI B16.1
- Full Port Design
- Eye bolt ring 4" – 10" (100-250mm)
- Pressure rated 175psi (12.1 bar) CWP
- Replaceable seat and disc repairable in-line.

Specifications

Swing check valve to be manufactured using ASTM A126 Class B Cast Iron with Buna-N resilient disc seat and comply with MSS-SP-71. Valve to be pressure rated to 175psi (12.1 bar) CWP with flanged ends that comply with ANSI B16.10 and ANSI B16.1 Class 125 standards. Series 411 shall comply with state codes and standards, where applicable, requiring reduced lead content. Valve shall have a full port design, and be in-line repairable. Valve to be Watts Series 411 Swing Check Valve.

Standards

Face-to-face: The dimensions of the valves comply with the American Standard for face-to-face dimensions (ANSI B16.10) for Class 125 cast iron flanged valves.

End Flanges: The dimensions and drilling of end flanges conform to the American cast iron flange standard, Class 125 (ANSI B16.1). The flanges are flat faced with smooth finish.



411

Approvals

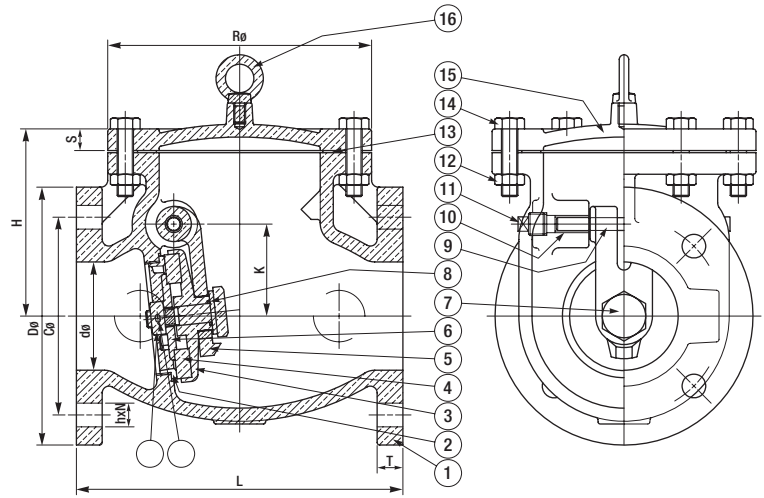
2"-10" (50mm – 250mm)



Valves comply with MSS-SP-71 Standards

Parts - Materials

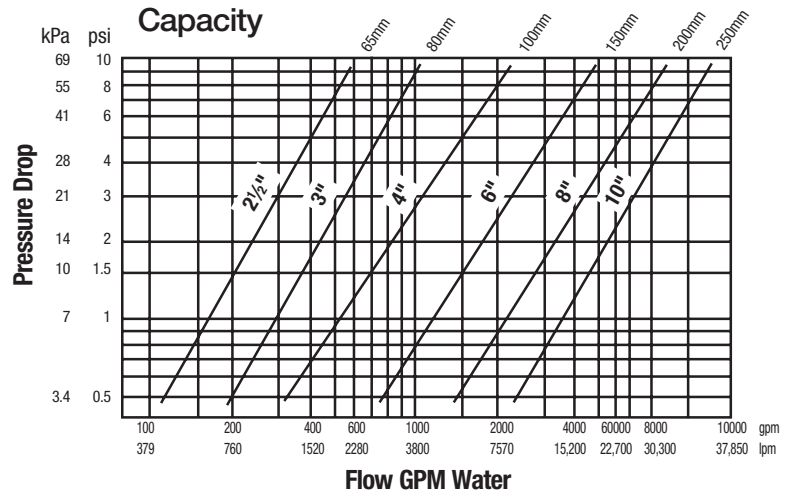
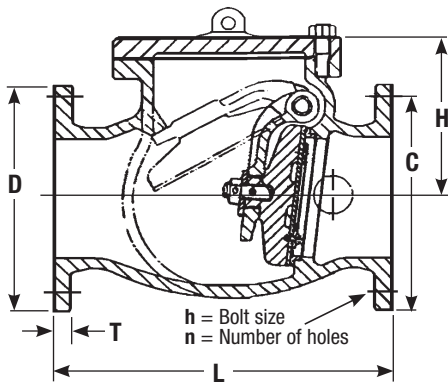
NO.	PARTS	MATERIAL	ASTM DESIGNATION
1	Body	Cast Iron	A126 CL. B
2	Seat Ring	Cast Bronze	B62
3	Disc	Ductile Iron	A536 60-40-18
4	Disc Ring	Buna-N	D-2000
5	Hinge	Ductile Iron	A536 60-40-18
6	Washer	Cast Bronze	B62
7	Hinge Bolt	Brass	B16
8	O-Ring	Buna-N	D-2000
9	Hinge Pin	SS 304	A276
10	Bushing	Brass Tube	B16
11	Plug	Bronze	B62
12	Nut	Steel	A307
13	Gasket	Compressed Fiber	—
14	Bolt	Steel	A307
15	Cover	Cast Iron	A126 CL. B
16	Eye Bolt	Steel	A307



Pressure - Temperature

Maximum Pressure: 175psi (12.1 bar) CWP

Maximum Temperature: 180°F (82°C)



Dimensions – Weights

SIZE		DIMENSIONS								WEIGHT							
		L		D		C		bolt holes size h		bolt holes Qty. n		T		H		lbs.	Kgs.
in.	mm	in.	mm	in.	mm	in.	mm	in.	mm			in.	mm	in.	mm		
2	50	8	203	6	152	4 ³ / ₄	121	3/4	19	4	5/8	16	4 ⁷ / ₁₆	112	28	13	
2 ¹ / ₂	65	8 ¹ / ₂	216	7	180	5 ¹ / ₂	140	3/4	19	4	1 ¹ / ₁₆	18	4 ³ / ₄	120	37	17	
3	75	9 ¹ / ₂	241	7 ¹ / ₂	191	6	152	3/4	19	4	3/4	19	5 ¹ / ₂	140	47	22	
4	100	11 ¹ / ₂	292	9	229	7 ¹ / ₂	191	3/4	19	8	1 ⁵ / ₁₆	24	6 ⁹ / ₁₆	161	82	37	
6	150	14	356	11	279	9 ¹ / ₂	241	7/8	22	8	1	25	8 ⁷ / ₁₆	214	157	71	
8	200	19 ¹ / ₂	495	13 ¹ / ₂	343	11 ³ / ₄	299	7/8	22	8	1 ¹ / ₈	29	10 ⁹ / ₁₆	268	303	138	
10	250	24 ¹ / ₂	622	16	406	14 ¹ / ₄	362	1	25	12	1 ³ / ₁₆	30	13 ³ / ₁₆	342	471	214	

It is illegal to use this product in any plumbing system providing water for human consumption, such as drinking or dishwashing, in the United States. Before installing standard material product, consult your local water authority, building and plumbing codes.



A Watts Water Technologies Company



USA: Tel: (978) 688-1811 • Fax: (978) 794-1848 • www.watts.com
 Canada: Tel: (905) 332-4090 • Fax: (905) 332-7068 • www.watts.ca