

Instructions

Watts TK-DL

Digital Print-out Test Kit for Backflow Preventer Assemblies

⚠ WARNING



Read this Manual **BEFORE** using this equipment. Failure to read and follow all safety and use information can result in death, serious personal injury, property damage, or damage to the equipment. Keep this Manual for future reference.



Installation

The **Watts TK-DL Computerized Backflow Tester** is an advanced piece of test equipment designed to make pressure and differential gauges obsolete in the testing of backflow assemblies. Two solid-state, high-resolution pressure transducers provide the interface to the computer. With 32K of memory, battery back up, 48 character super-twist display, 16 function key-board and high-efficiency thermal printer, the TK-DL is equipped to provide real time data handling and the outputs required to test, validate and certify every backflow assembly. (See operating manual for details). The TK-DL allows you to download your test results into a personal computer for permanent storage. In addition, the TK-DL menu driven software program allows for customizing of printed header and footer.

GENERAL INFORMATION

Before connecting hoses to tester, be sure to flush test cocks on backflow assembly.

NOTICE

To avoid freeze damage to the test kit, it should be stored in a dry warm area when not in use.



Watts TK-DL



Watts TK-DL
(in carrying case - sold separately)

Test Procedure for Pressure Vacuum Breakers

The following Test Procedure is one of several that is recognized throughout the United States for verification of the functioning of Backflow preventers.

The following procedure is not a specific recommendation. The Watts series of test kits are capable of performing any of the recognized Backflow test procedures.

NOTICE

For both of the following tests, the TK-DL must be held at the same level as the assembly being tested.

- A. Flush TC #1 and #2.
- B. Turn tester on (before connecting hose). Tester must read all zeros. Close VA and VB.

Test No. 1 - Air Inlet

1. Install high side hose between TC #2 and tester connection A.
2. Open VA then TC #2. Bleed hose, then close VA.
3. Close shutoff valve #2 then #1.
Push - Print Head (wait) then Push - Start Test
4. Slowly open VA when air inlet float opens, push "hold" button for at least 2 seconds.
Record differential reading (must be 1 PSID or more). Close VA.

Push - Stop Test

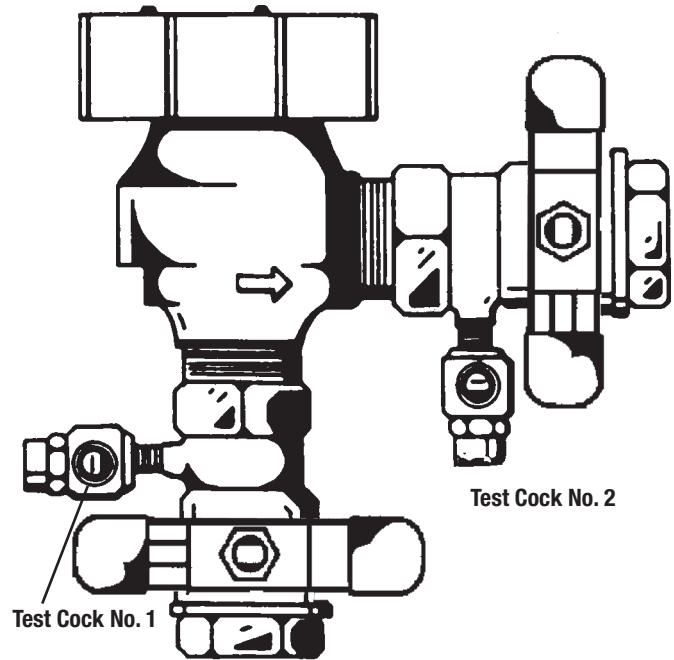
5. Close TC #2 and remove hose.
6. Open shutoff valve #1.

Test No. 2 - Test Check Valve

7. Install highside hose between TC #1 and tester connection A.
8. Open VA then TC #1. Bleed hose, then close VA.
9. Close shutoff valve #1.
Push - Start Test
10. Open TC #2. When flow of water out of TC #2 stops, the differential reading is the pressure drop. Record (must be 1 PSID or more).

Stop Test (Push Stop Test twice)

11. Close test cocks and remove tester. Return assembly to normal operating condition.



800M4-QT/LF800M4-QT

Test Procedure for Anti-spill, Anti-siphon Vacuum Breaker (SVB)

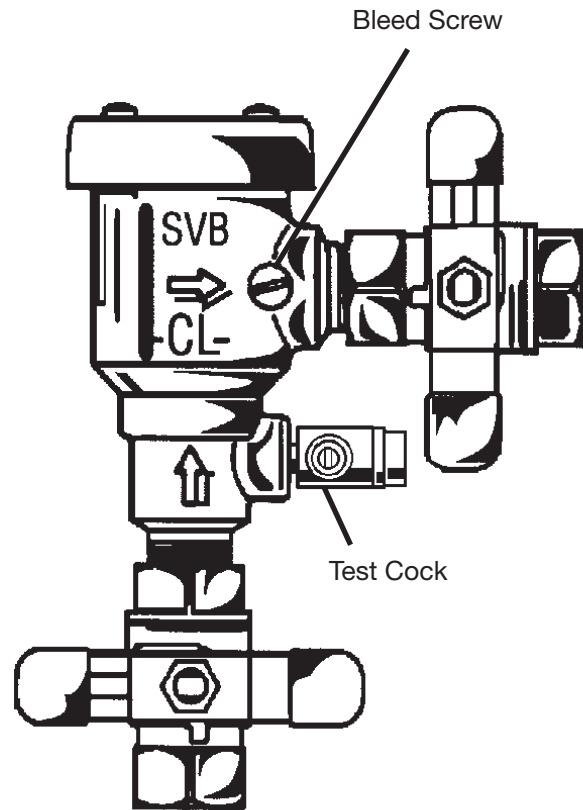
Test No. 1 - Differential Test

Make sure that the test kit is at the same elevation as the device being tested.

1. Remove the two screws from hood and remove hood so that vent is visible.
2. Turn test kit on, wait until self check is complete.
3. Connect hose from test cock to VA HIGH.
4. Open test cock, then VA, (VB LOW should be opened and remain open through the test). Bleed hose and test kit of air, when bleeding hose fill vent with water, shut off VA.
5. Close #2 shutoff, then close #1 shutoff.
6. Press **PRINT HEADER** button. Wait until header stops printing. Press **START TEST RESUME** button.
7. Slowly unscrew bleed screw on SVB (about three turns).
8. When dripping from bleed screw stops, and gauge reading settles, this is the check differential. This must be 1 PSI or greater.
9. Press **PAUSE STOP** button.

Test No. 2 - Air Inlet (Vent Opening)

10. Press **START TEST RESUME**.
11. Slowly open VA and watch vent, with finger over **DISPLAY HOLD** button. When the water level above the vent starts to drop this is the vent opening press **DISPLAY HOLD** button. This will record the vent opening point. This value must be 1 PSI or greater.
12. Visually inspect vent to ensure that vent goes to full open position when the pressure is at zero.
13. Press **PAUSE STOP TEST** button twice.
14. Tighten bleed screw, close test cock and reinstall hood, open shutoff #1, open shutoff #2, remove hose. Testing is complete.



LF008PCQT

Test Procedure for Double Check Valve Assembly (DC)

The following Test Procedure is one of several that is recognized throughout the United States for verification of the functioning of Backflow preventers.

The following procedure is not a specific recommendation. The Watts series of test kits are capable of performing any of the recognized Backflow test procedures.

- A. Flush all test cocks.
- B. Turn tester on (before connecting hoses).
Tester must read all zeroes. Close VA and VB.

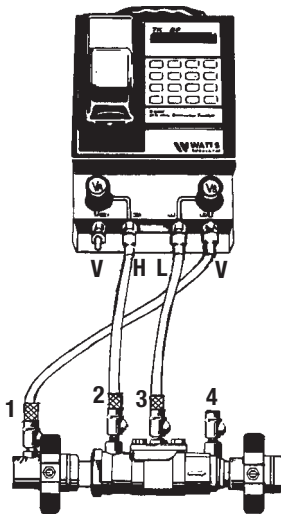
Test No. 1 - Test No. 1 Check Valve

1. Install high side hose between TC #2 and tester connection A.
2. Install low side hose between TC #3 and tester connection B.
3. Open VA then TC #2, bleed hose, then close VA.
4. Open VB then TC #3, bleed hose, then close VB.
5. Install a bypass hose between VB and TC #1. Open TC #1 and bleed by loosening hose connection at VB. Tighten hose connection, fully open VB.

Push - Print Head (wait) then Push - Start Test.

6. Close shutoff valve #2 then #1.
7. Slowly open VA and lower high side pressure about -2 PSID below the low side pressure (differential reading about -2.0 PSID). Close VA. If reading is maintained, record as "tight". If reading returns to 0 and the pressure A increases to pressure B, the check is recorded as leaking. If the reading returns to +PSID, No. 2 shutoff valve is leaking excessively and must be replaced to test the valve.
8. Close all test cocks, remove hoses from TC #2 and TC #3 and TC #1. reopen shutoff valve #1. Proceed to Test No. 2.

Push - Stop Test.



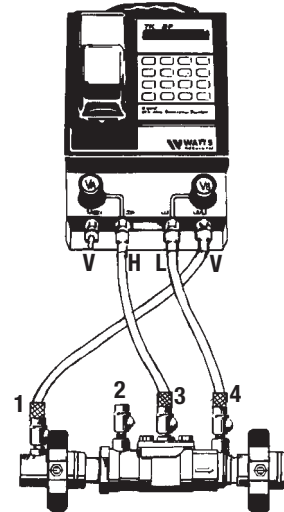
Test No. 2 - Test No. 2 Check Valve

1. Install high side hose between TC #3 and tester connection A.
2. Install low side hose between TC #4 and tester connection B.
3. Open VA then TC #3, bleed hose, then close VA.
4. Open VB then TC #4, bleed hose, then close VB.
5. Install a bypass hose between VB and TC #1. Loosen hose at VB, open TC #1 and bleed, retighten hose connection.

Push - Start Test.

6. Close shutoff valve #1.
7. Slowly open VA and lower high side pressure about -2 PSID below the low side pressure (differential reading about -2.0 PSID). Close VA. If reading is maintained, record as "tight". If reading returns to 0 and the pressure A increases to pressure B, the check is recorded as leaking. If the reading returns to +PSID, No. 2 shutoff valve is leaking excessively and must be replaced to test the valve.

Push - Stop Test.



Test Procedure for Reduced Pressure Zone Assemblies

The following Test Procedure is one of several that is recognized throughout the United States for verification of the functioning of Backflow preventers.

The following procedure is not a specific recommendation. The Watts series of test kits are capable of performing any of the recognized Backflow test procedures.

- A. Open TC #4 and flush test cocks Nos. 1, 2 and 3 on BF assembly, then close TC #4.
- B. Turn tester on (before connecting hoses). Tester must read all zeros. Close VA and VB.

Test No. 1 - Relief Valve

1. Install high side hose between TC #2 and tester connection A.
2. Install low side hose between TC #3 and tester connection B.
3. Open VB then TC #3. Now open VA then TC #2 slowly. Close VA then VB.
4. Close #2 shutoff valve.
5. Observe the apparent first check valve differential pressure (A - B).
6. Install bypass hose between VA and VB. Open VB and bleed air by loosening hose connection at VA. Tighten hose connection and close VB.

Push - Print Head (wait) then Push - Start Test

7. Open VA, then slowly open VB (no more than 1/4 turn). When relief valve drips, push the "hold button" for 2 seconds. Record reading (must be 2 PSID or more).

Push - Stop Test

8. Close VA and VB.

Test No. 2 - Test No. 2 Check Valve

9. Install bypass hose between VA and TC #4. Open VA, then bleed air by loosening hose connection at TC #4. Tighten hose connection. Close VA.

Push - Start Test

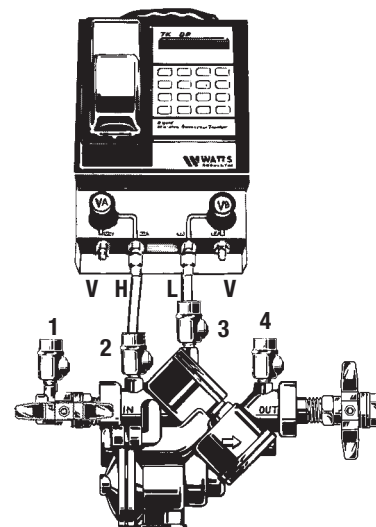
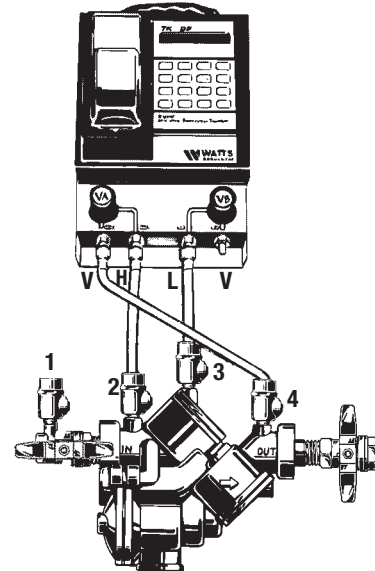
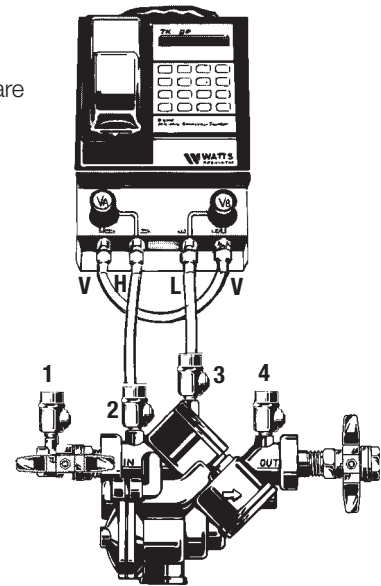
10. Open VB to reestablish pressure within the "zone". Close VB.
11. Open VA the TC #4. If relief valve does not drip, record second check valve as "closed tight".
12. Close VA and TC #4 and remove bypass hose.

Test No. 3 - Test No. 1 Check Valve

13. Open VB to reestablish first check valve differential pressure. Close VB. Record pressure differential.

Stop Test (Push Stop Test twice)

14. Close test cocks and remove tester, return assembly to normal operating condition.



Calibration Centers

Nicholson Labs

1423 Queen City Ave.
Cincinnati, OH 45214
Tel: (513) 251-8378
Fax: (513) 251-4388

BAVCO

20435 S. Susana Road
Long Beach, CA 90810-1136
Tel: (310) 639-5231
Fax: (310) 639-0721

Troubleshooting Guide

Double Check Valve Assemblies

SYMPTOM	CAUSE	SOLUTION
1. Check valve fails to hold 1.0 PSID minimum	a. Debris on check disc sealing surface	Disassemble and clean
	b. Leaking gate valve	Disassemble and clean or repair
	c. Damaged seat disc or seat o-ring	Disassemble and replace
	d. Damaged guide holding check open	Disassemble clean or replace
	e. Weak or broken spring	Disassemble and replace spring
2. Chatter during flow conditions	a. Worn, damaged or defective guide	Disassemble and repair or replace guide
3. Low flows passing through mainline valve	a. Mainline check fouled	Disassemble and clean
	b. Meter strainer plugged	Disassemble and clean
	c. Damaged mainline seat disc or seat	Disassemble and replace
	d. Broken mainline spring	Disassemble and replace

Troubleshooting Guide

Reduced Pressure Zone Assemblies

PROBLEM	CAUSE	Should valve be replaced?	SOLUTION
A. Valve spits periodically from the vent.			
	A.1 Fluctuating supply pressure.	No	A.1 Install a soft seated check valve immediately upstream of the device. (Watts 3/4" - 2" No. 601 bronze valve.)
	A.2 Fluctuating downstream pressure.	No	A.2 Install a soft seated check valve downstream of the device close as possible to the shutoff valve. (Watts 3/4" - 2" No. 601 bronze valve.)
B. Valve drips continually from the vent.			
	B.1 Fouled first check.	No	B.1 Flush valve. If flushing does not resolve problem, disassemble valve and clean or replace the first check.
	B.2 Damaged or fouled relief valve seat.	No	B.2 Clean or replace the relief valve seat.
	B.3 Relief valve piston "O" ring not free to move due to pipe scale, dirt or build-up of mineral deposits.	No	B.3 Clean, grease or replace the piston "O" ring.
	B.4 Excessive backpressure, freezing, or water hammer has distorted the second check.	No	B.4 Eliminate source of excessive backpressure or water hammer in the system downstream of the device. Use Watts No. 601 to dampen out backpressure and No. 15 to eliminate water hammer. Replace defective second check assembly. In case of freezing; thaw, disassemble, and inspect internal components. Replace as necessary.
	B.5 Electrolysis of relief valve seat or first check seats.	No	B.5 Replace relief valve seat or inlet cover. Install dielectric unions (Watts Series 3001 through 3006). Electrically ground the piping system and/or electrically isolate the device with plastic pipe immediately upstream and downstream of the device.
	B.6 Valve improperly reassembled.	No	B.6 If valve is disassembled during installation, caution must be exercised to install check springs in their proper location.
C. Valve exhibits high pressure drop.			
	C.1 Fouled strainer.	No	C.1 Clean strainer element or replace.
	C.2 Valve too small for flows encountered.	Yes	C.2 Install proper size device based upon flow requirements.
D. No water flows downstream of valve.			
	D. Valve installed backwards.	No	D. Install valve in accordance with flow direction arrow.
E. Valve does not test properly.			
	E.1 Follow manufacturer's test procedure.	No	E.1, E.2 Clean or replace gate valve with full port ball valves or resilient wedge shutoff valves.
	E.2 Leaky downstream gate valve.	No	
F. Valve quickly and repeatedly fouls following servicing.			
	F. Debris in pipe line is too fine to be trapped by strainer.	No	F. Install finer mesh strainer element in the strainer.
G. Winterization of backflow preventers.			
			G. Electric heat-tape wrap closely together around valve body. Build a small shelter around the valve with a large light bulb installed and left on at all times. If supply line is not used during the winter, removal of the complete body is the best. This would create an air gap to eliminate any possible backflow.

Watts TK-DL Software Instructions

The Watts TKDLC102 Software Disc is menu driven and will prompt you throughout the process of down loading your Watts TK-DL test results to a personal computer. The following information has been provided to assist you in utilizing your Watts TK-DL test kit.

TK DLC 102: Enter

READ WRITE TO TESTER: Enter

Connect TK-DL to computer and turn on (on screen instructions)

- | | |
|--|---|
| <p>A. Load Data from Tester
Reads Tester information in memory.</p> <p>B. Display settings
Model = Watts TK-DL
Eprom Version
Serial #
Time/Date
Last Calibrated
Next Cal Due
Next Test #</p> <p>C. Change Settings
Time/Date - day only</p> <p>D. Display Heading and Footer
Displays heading and footer in TK-DL memory printed on tape.</p> <p>E. Change Heading and Footer
Allows heading and footer to be changed by using computer keyboard.</p> <p>F. Write Data to Tester (Saves information to the Test Kit once you have changed the header or the footer or anything in the "Change Settings" option).</p> <p>G. Load Heading File
It recalls a heading that was previously saved. You can then load into the TK-DL when you are connected to the computer. After loading you must write data to tester (Step F).</p> | <p>H. Load Footing File
Same as load heading, except for footer.</p> <p>G., H. Brings up headers and footers that were programmed and saved at an earlier time. You may recall the footer or header to program into you test kit. The recalled or "Loaded" information will overwrite current information.</p> <p>I. Save Heading</p> <p>J. Save Footing</p> <p>I, J, Use this option when you have changed the header or the footer and want to save the changes. You can save each header and footer in a separate file. You can then recall or "Load" the header or footer to be programmed into your test kit.</p> <p>K. Down Load Tests
Down loads from TK-DL to disc.</p> <p>L. Print Tests
On screen prompts:
F2 OK, F4 scroll up, F6 scroll on,
Esc to cancel.
Lists date and Time tests
were recorded.
↑ ↓ to select test to print</p> <p>Note: The disc included with your test kit allows you to change your header or footer. Therefore, the disc should not be carried in the test kit case.</p> |
|--|---|

WARNING: This product contains chemicals known to the State of California to cause cancer and birth defects or other reproductive harm.
For more information: www.watts.com/prop65

Limited Warranty: Watts Regulator Co. (the "Company") warrants each product to be free from defects in material and workmanship under normal usage for a period of one year from the date of original shipment. In the event of such defects within the warranty period, the Company will, at its option, replace or recondition the product without charge.

THE WARRANTY SET FORTH HEREIN IS GIVEN EXPRESSLY AND IS THE ONLY WARRANTY GIVEN BY THE COMPANY WITH RESPECT TO THE PRODUCT. THE COMPANY MAKES NO OTHER WARRANTIES, EXPRESS OR IMPLIED. THE COMPANY HEREBY SPECIFICALLY DISCLAIMS ALL OTHER WARRANTIES, EXPRESS OR IMPLIED, INCLUDING BUT NOT LIMITED TO THE IMPLIED WARRANTIES OF MERCHANTABILITY AND FITNESS FOR A PARTICULAR PURPOSE.

The remedy described in the first paragraph of this warranty shall constitute the sole and exclusive remedy for breach of warranty, and the Company shall not be responsible for any incidental, special or consequential damages, including without limitation, lost profits or the cost of repairing or replacing other property which is damaged if this product does not work properly, other costs resulting from labor charges, delays, vandalism, negligence, fouling caused by foreign material, damage from adverse water conditions, chemical, or any other circumstances over which the Company has no control. This warranty shall be invalidated by any abuse, misuse, misapplication, improper installation or improper maintenance or alteration of the product.

Some States do not allow limitations on how long an implied warranty lasts, and some States do not allow the exclusion or limitation of incidental or consequential damages. Therefore the above limitations may not apply to you. This Limited Warranty gives you specific legal rights, and you may have other rights that vary from State to State. You should consult applicable state laws to determine your rights. **SO FAR AS IS CONSISTENT WITH APPLICABLE STATE LAW, ANY IMPLIED WARRANTIES THAT MAY NOT BE DISCLAIMED, INCLUDING THE IMPLIED WARRANTIES OF MERCHANTABILITY AND FITNESS FOR A PARTICULAR PURPOSE, ARE LIMITED IN DURATION TO ONE YEAR FROM THE DATE OF ORIGINAL SHIPMENT.**



A Watts Water Technologies Company



USA: Tel: (978) 688-1811 • Fax: (978) 794-1848 • www.watts.com
Canada: Tel: (905) 332-4090 • Fax: (905) 332-7068 • www.watts.ca