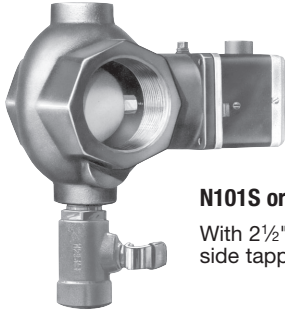


Wiring and Replacement Float Switch for Low Water Cut-offs

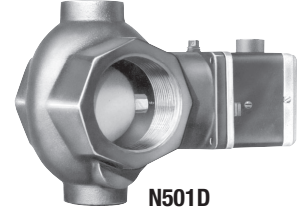
Installation Instructions



N101S or N101D
With 2½"
side tapping



N50D
UL Listed



N501D
Same as N50D
with 2½"
side tapping

Replacement Float and Switch Assemblies Interchangeable in Watts Low Water Cut-offs

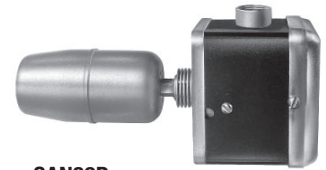
Watts float and switch assemblies are furnished to provide a complete new low water cut-off, less the float chamber, and are recommended for field servicing of such units. They can be quickly installed without changing existing piping and eliminate the possibility of disturbing factory adjustments. The complete one piece unit not only facilitates installation but also assures the user of receiving latest, up to date construction.

SAN89D

Maximum steam pressure 15 lbs. Complete assembly facilitates maintenance and inventory by being interchangeable in No. N89D and No. N101D.

SAN89S

Same as above, but furnished with single switch assembly for No. N89S and No. N101S.



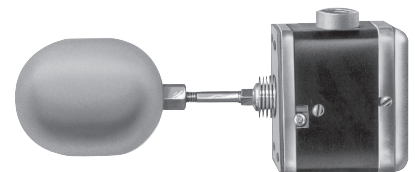
**SAN89D or
SAN89S**

SAN50D

Maximum boiler pressure 50 lbs. Complete assembly facilitates servicing by being interchangeable in all previous Series N50 and N501D.

SAN50S

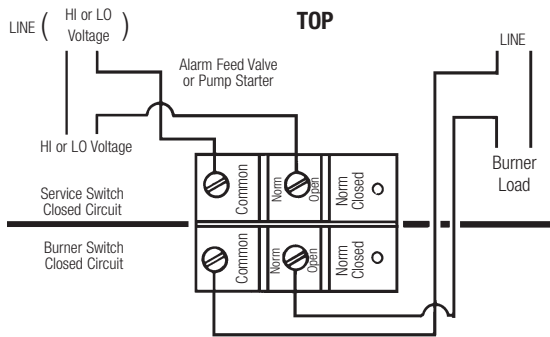
Same as above, but furnished with single switch assembly for N50S and N501S. When required for manual reset models, specify SAN50SM for N50SM and N501SM.



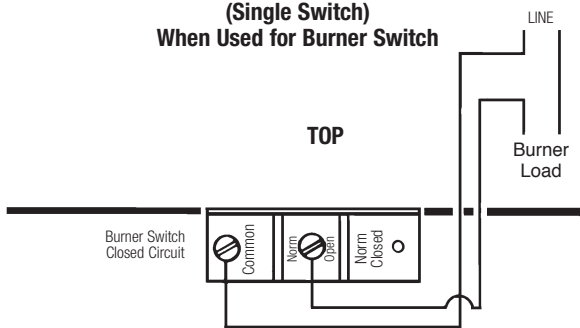
**SAN50D or
SAN50S**

Wiring Diagrams

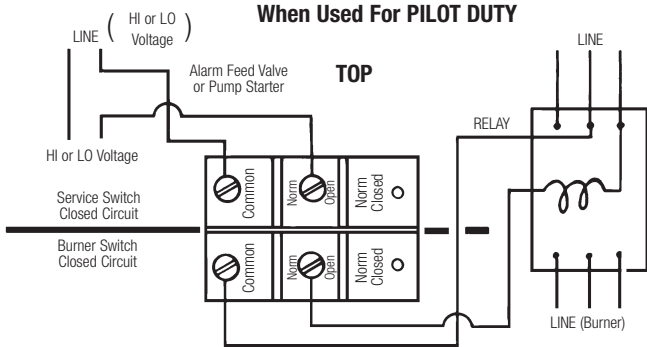
(Dual Switch) When Used for Burner Switch and Accessory Circuits



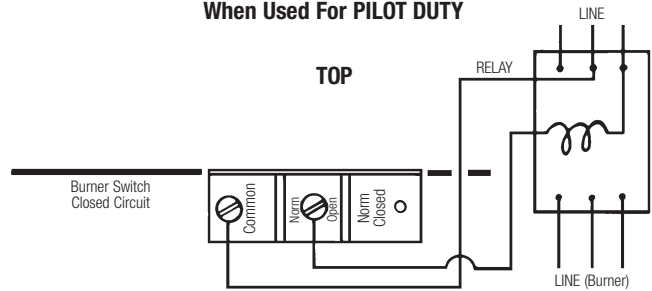
(Single Switch) When Used for Burner Switch



When Used For PILOT DUTY



When Used For PILOT DUTY



For loads in excess of ratings or when a 3-phase burner motor is used, use either switch as pilot to operate a relay or magnetic starter as shown under "Pilot Duty" above for burner switch. Incoming leads must be suitable for temperature rise of 90°C (194°F).

Motor Duty

AC	1/2 H.P.	1 Phase	110-120 volts
	1 H.P.	1 Phase	220-240 volts

Pilot Duty

AC	15 Amps.		120, 240 volts
DC	1/2 Amps.		120 volts

Motor Duty

AC	1/2 H.P.	1 Phase	110-120 volts
	1 H.P.	1 Phase	220-240 volts

Pilot Duty

AC	15 Amps.		120, 240 volts
DC	1/2 Amps.		120 volts

Alarm Circuit

AC	15 Amps.		120, 240 volts
DC	1/2 Amps.		120 volts

WARNING: Do not connect to an electrical load in excess of the rated capacity of the switch. Switch cuts off burner or stoker when water line drops approximately 3/8" below center line. Switch alarm circuit when used is closed just before burner cuts off.

CAUTION: "This switch mechanism is factory set for optimum performance, alteration may cause the valve to malfunction and will invalidate the warranty."

CALIFORNIA PROPOSITION 65 WARNING

WARNING: This product contains chemicals known to the State of California to cause cancer and birth defects or other reproductive harm. (California law requires this warning to be given to customers in the State of California.)

For more information: www.watts.com/prop65

Limited Warranty: Watts Regulator Co. (the "Company") warrants each product to be free from defects in material and workmanship under normal usage for a period of one year from the date of original shipment. In the event of such defects within the warranty period, the Company will, at its option, replace or recondition the product without charge.

THE WARRANTY SET FORTH HEREIN IS GIVEN EXPRESSLY AND IS THE ONLY WARRANTY GIVEN BY THE COMPANY WITH RESPECT TO THE PRODUCT. THE COMPANY MAKES NO OTHER WARRANTIES, EXPRESS OR IMPLIED. THE COMPANY HEREBY SPECIFICALLY DISCLAIMS ALL OTHER WARRANTIES, EXPRESS OR IMPLIED, INCLUDING BUT NOT LIMITED TO THE IMPLIED WARRANTIES OF MERCHANTABILITY AND FITNESS FOR A PARTICULAR PURPOSE.

The remedy described in the first paragraph of this warranty shall constitute the sole and exclusive remedy for breach of warranty, and the Company shall not be responsible for any incidental, special or consequential damages, including without limitation, lost profits or the cost of repairing or replacing other property which is damaged if this product does not work properly, other costs resulting from labor charges, delays, vandalism, negligence, fouling caused by foreign material, damage from adverse water conditions, chemical, or any other circumstances over which the Company has no control. This warranty shall be invalidated by any abuse, misuse, misapplication, improper installation or improper maintenance or alteration of the product.

Some States do not allow limitations on how long an implied warranty lasts, and some States do not allow the exclusion or limitation of incidental or consequential damages. Therefore the above limitations may not apply to you. This Limited Warranty gives you specific legal rights, and you may have other rights that vary from State to State. You should consult applicable state laws to determine your rights. **SO FAR AS IS CONSISTENT WITH APPLICABLE STATE LAW, ANY IMPLIED WARRANTIES THAT MAY NOT BE DISCLAIMED, INCLUDING THE IMPLIED WARRANTIES OF MERCHANTABILITY AND FITNESS FOR A PARTICULAR PURPOSE, ARE LIMITED IN DURATION TO ONE YEAR FROM THE DATE OF ORIGINAL SHIPMENT.**



Water Safety & Flow Control Products



USA: 815 Chestnut St., No. Andover, MA 01845-6098; www.watts.com

Canada: 5435 North Service Rd., Burlington, ONT. L7L 5H7; www.wattscanada.ca