


Submittal Package

**Engineering Specification, Installation, Operation and Maintenance
Series LFM110-10 / LFM6110-10**

Modulating Float Control Valve

Sizes: 1¼" to 24"

⚠ WARNING



Read this Manual **BEFORE** using this equipment. Failure to read and follow all safety and use information can result in death, serious personal injury, property damage, or damage to the equipment. Keep this Manual for future reference.

THINK SAFETY FIRST

⚠ WARNING

Local building or plumbing codes may require modifications to the information provided. You are required to consult the local building and plumbing codes prior to installation. If the information provided here is not consistent with local building or plumbing codes, the local codes should be followed. This product must be installed by a licensed contractor in accordance with local codes and ordinances.

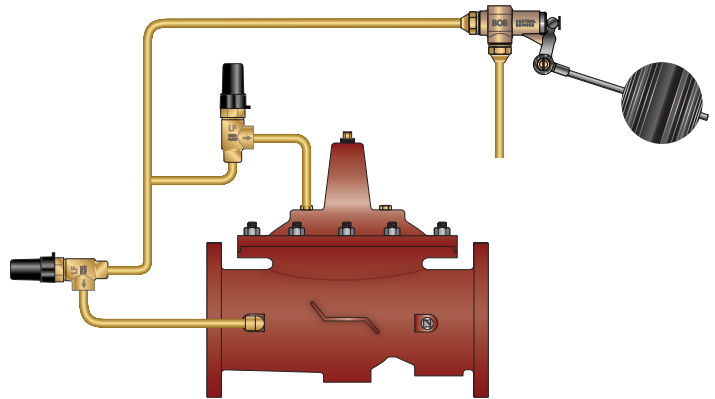
⚠ WARNING

Need for Periodic Inspection/Maintenance: This product must be tested periodically in compliance with local codes, but at least once per year or more as service conditions warrant. All products must be retested once maintenance has been performed. Corrosive water conditions and/or unauthorized adjustments or repair could render the product ineffective for the service intended. Regular checking and cleaning of the product's internal and external components helps assure maximum life and proper product function.

NOTICE

For Australia and New Zealand: Pipeline strainers should be installed between the upstream shutoff valve and the inlet of the backflow preventer.

It's important that this device be tested periodically in compliance with local codes, but at least once per year or more as service conditions warrant. If installed on a fire sprinkler system, all mechanical checks, such as alarm checks and backflow preventers, should be flow tested and inspected internally in accordance with NFPA 13 and NFPA 25.



LFM110-10

Table of Contents **Page**

Engineering Specifications

[ACV Schematic](#) 2

[Basic Valves](#) 3

[Standard Components](#) 7

[Optional Components](#) 10

Installation, Operation and Maintenance

[Installation](#) 14

[Valve Servicing Dimensions](#) 14

[Setting the Float Control Valve](#) 15

[ACV Maintenance Schedule](#) 17

[Troubleshooting Guide](#) 18

[Valve Disassembly Instructions](#) 19

Watts product specifications in U.S. customary units and metric are approximate and are provided for reference only. For precise measurements, please contact Watts Technical Service. Watts reserves the right to change or modify product design, construction, specifications, or materials without prior notice and without incurring any obligation to make such changes and modifications on Watts products previously or subsequently sold.



LEAD FREE*

Series LFM110-10

Modulating Float Control Valve

Full Port Ductile Iron Single Chamber Valve

Features

- Throttles to maintain constant level in reservoir, tank or pond
- Throttles open when level drops / Throttles closed when level rises
- Modulating Float Control is Remote Mounted (field installed)
- Adjustable Closing Speed

Standard Components

- 1 – Main Valve (M100 - Single Chamber)
- 2 – Modulating Float Control
- 3 – Adjustable Closing Speed
- X – Isolation Cocks

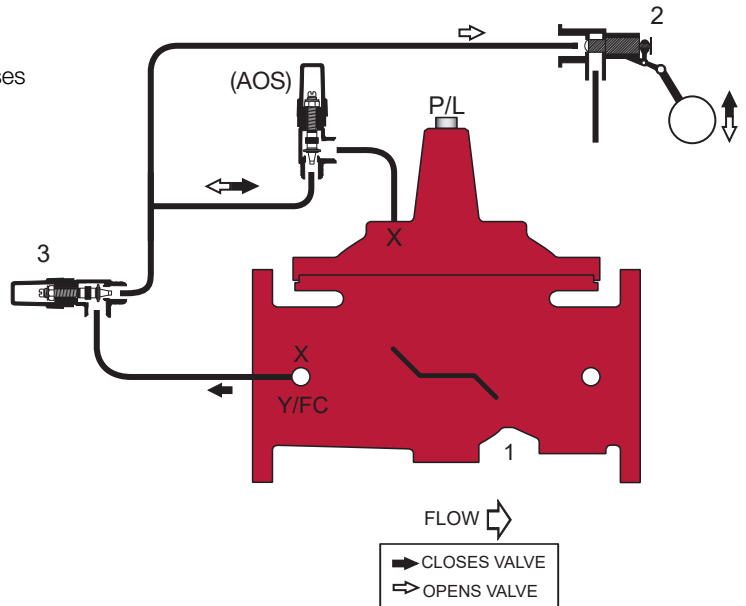
Options and Accessories

- FC – Flo-Clean Strainer
- Y – Y-Strainer (Replaces Flo-Clean)
- AOS – Adjustable Opening Speed
- P – Position Indicator
- L – Limit Switch

Operation

The Modulating Float Control Valve is designed to automatically maintain a constant liquid level in a tank or reservoir. It is controlled by a remote mounted Modulating Float Pilot designed to: 1) Modulate Open (allowing fluid out of the main valve cover chamber) when reservoir level decreases, and, 2) Modulate Closed (allowing fluid to fill the main valve cover chamber) when reservoir level increases. A decrease in reservoir level causes the valve to modulate towards an open position, allowing reservoir level to increase. An increase in reservoir level causes the valve to modulate towards a closed position, allowing reservoir level to decrease.

If desired, the float modulating action of the valve can be "reversed" by inverting or "reversing" the action of the Modulating Float Pilot. The Modulating Float Control is remotely mounted from the valve, and field connected with 3/8" minimum copper tubing in accordance with factory piping schematic.



*The wetted surface of this product contacted by consumable water contains less than 0.25% of lead by weight.

NOTICE

The information contained herein is not intended to replace the full product installation and safety information available or the experience of a trained product installer. You are required to thoroughly read all installation instructions and product safety information before beginning the installation of this product.

M Series Basic Valves

Modulating Float Control Valve

Full Port Ductile Iron Single Chamber Basic Valve

This Watts Automatic Control Valve (ACV) is a full port, single chamber basic valve that incorporates a one-piece disc and diaphragm assembly. This assembly is the only moving part within the valve allowing it to open, close, or modulate as commanded by the pilot control system.

Watts ACV Main Valves are Lead Free. The Watts ACV piloting system contains Lead Free* components, ensuring all of our configurations are Lead Free compliant.

Globe Pattern Single Chamber Basic Valve (M100)
 Angle Pattern Single Chamber Basic Valve (M1100)

Standard Materials

- Body and Cover: Ductile Iron ASTM A536
- Coating: NSF Listed Fusion Bonded Epoxy Lined and Coated
- Trim: 316 Stainless Steel
- Elastomers: Buna-N (standard)
 EPDM (optional)
 Viton™ (optional)
- Nut, Spring and Stem: Stainless Steel
- Anti-Scale (Optional): Xylan Coated Stem and Seat



Viton™ is a trademark of The Chemours Company FC, LLC

Operating Pressure

- Threaded = 400psi (27.6 bar)
- 150# Flanged = 250psi (17.2 bar)
- 300# Flanged = 400psi (27.6 bar)
- Grooved End = 400psi (27.6 bar)

Operating Temperature

- Buna-N: 160°F (71°C) Maximum
- EPDM: 300°F (140°C) Maximum
- Viton™: 250°F (121°C) Maximum
- Epoxy Coating**: 225°F (107°C) Maximum

** Valves can be provided without internal epoxy coating consult factory

Basic Valve Body Options



Globe Flanged



Angle Flanged



Globe Grooved End



Angle Grooved End



Globe Threaded



Angle Threaded

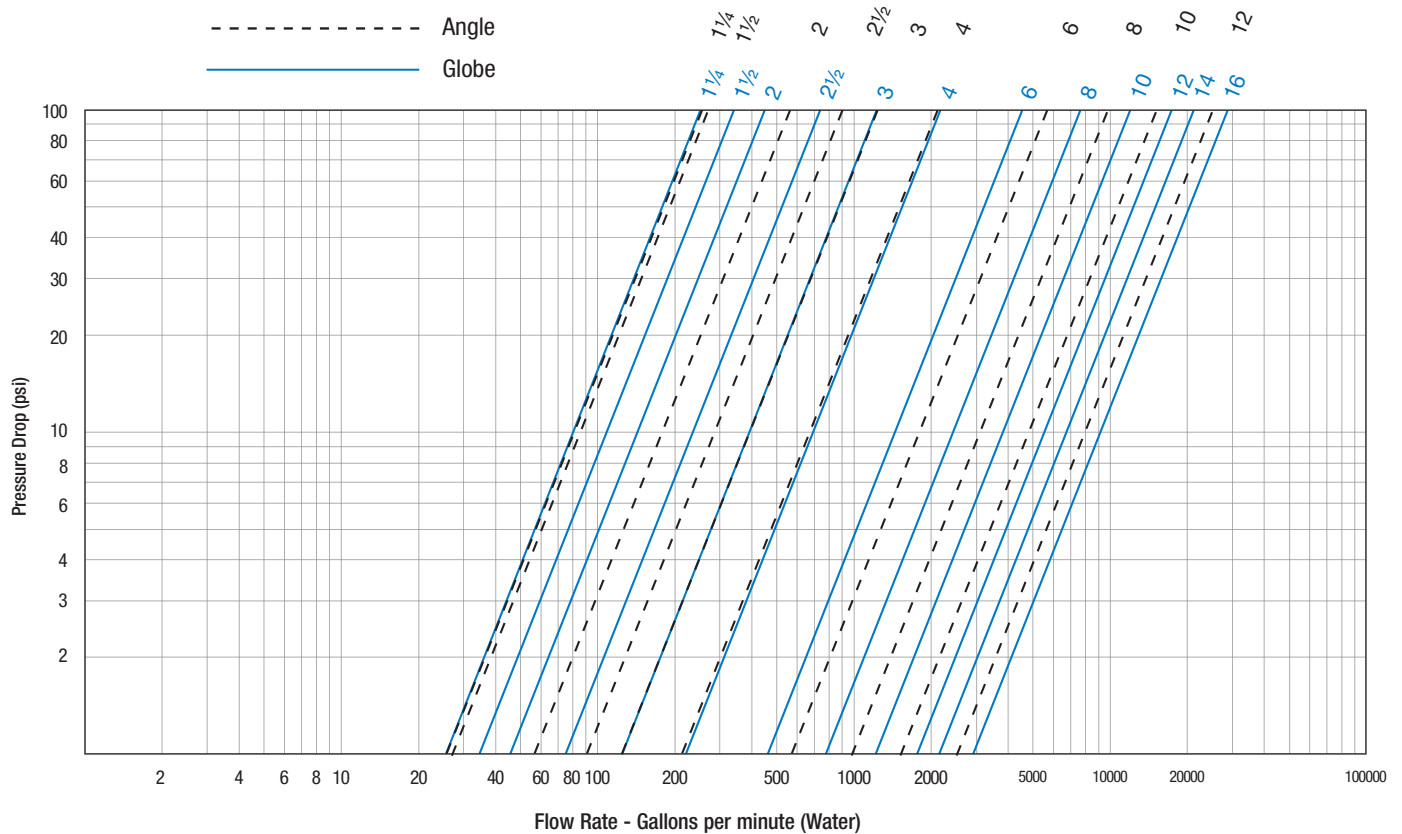
ACV Schematic - Series LFM110-10

Flow Data

| Valve Size - Inches | | 1/4 | 1/2 | 2 | 2 1/2 | 3 | 4 | 6 | 8 | 10 | 12 | 14 | 16 |
|---------------------|--|-----|-----|-----|-------|-----|------|------|------|------|------|-------|-------|
| Suggested | Maximum Continuous Flow Rate Gpm (Water) | 95 | 130 | 210 | 300 | 485 | 800 | 1850 | 3100 | 5000 | 7000 | 8500 | 11100 |
| | Maximum Intermittent Flow Rate Gpm (Water) | 119 | 161 | 265 | 390 | 590 | 1000 | 2300 | 4000 | 6250 | 8900 | 10800 | 14100 |
| | Minimum Flow Rate Gpm (Water) | 3 | 5 | 6 | 9 | 15 | 16 | 17 | 25 | 55 | 70 | 190 | 400 |
| Cv | Cv Factor GPM (Globe) | 26 | 26 | 48 | 75 | 112 | 188 | 387 | 764 | 1215 | 1734 | 2234 | 3131 |
| | Cv Factor GPM (Angle) | 26 | 27 | 57 | 91 | 125 | 207 | 571 | 889 | 1530 | 1945 | | |

- Maximum continuous flow based on velocity of 20 ft. per second.
- Maximum intermittent flow based on velocity of 25 ft. per second.
- Minimum flow rates based on a 20-40 psi pressure drop.
- The C_v Factor of a valve is the flow rate in US GPM at 60°F that will cause a 1psi drop in pressure.
- C_v factor can be used in the following equations to determine Flow (Q) and Pressure Drop (ΔP):

$$Q \text{ (Flow)} = C_v \sqrt{\Delta P} \quad \Delta P \text{ (Pressure Drop)} = (Q/C_v)^2$$



Valve Cover Chamber Capacity

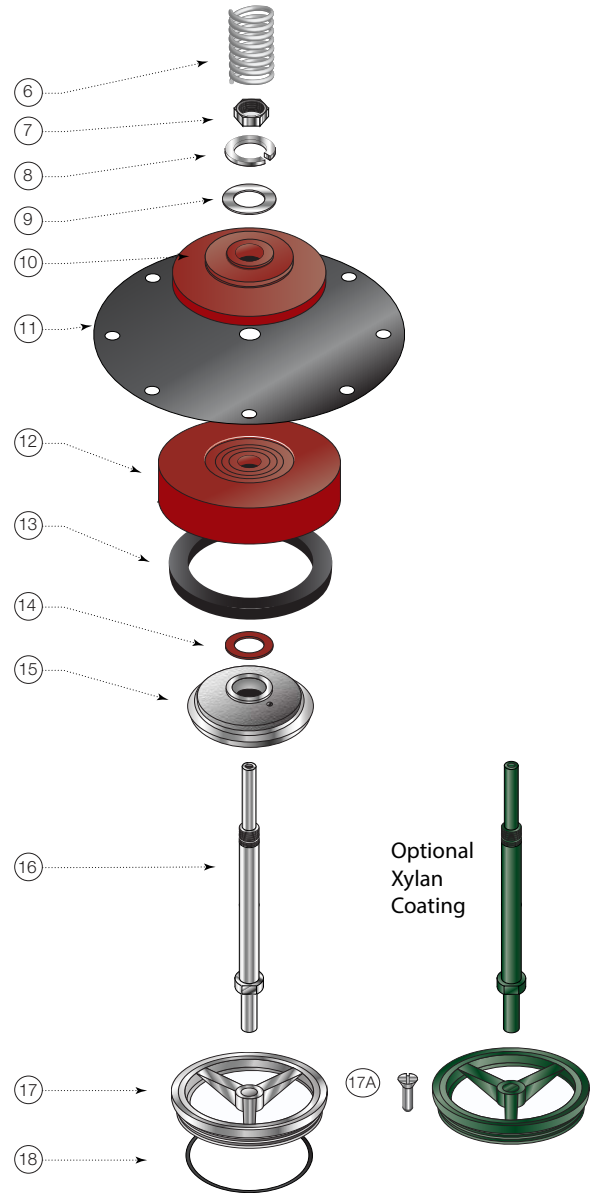
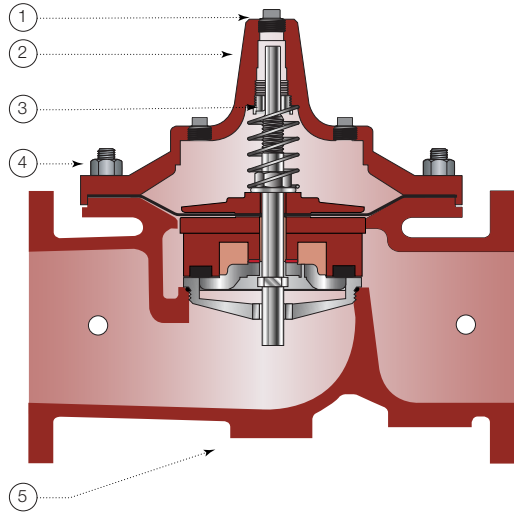
| Valve Size - Inches | 1/4 | 1/2 | 2 | 2 1/2 | 3 | 4 | 6 | 8 | 10 | 12 | 14 | 16 |
|---------------------|-----|-----|---|-------|----|----|----|-----|-------|----|-------|-------|
| fl.oz. | 4 | 4 | 4 | 10 | 16 | 22 | 70 | | | | | |
| U.S. Gal | | | | | | | | 1/4 | 2 1/2 | 4 | 6 1/2 | 9 1/2 |

Valve Travel

| Valve Size - Inches | 1/4 | 1/2 | 2 | 2 1/2 | 3 | 4 | 6 | 8 | 10 | 12 | 14 | 16 |
|---------------------|-----|-----|-----|-------|-----|---|-------|---|-------|----|-------|----|
| Travel - Inches | 3/8 | 3/8 | 1/2 | 5/8 | 3/4 | 1 | 1 1/2 | 2 | 2 1/2 | 3 | 3 1/2 | 4 |

ACV Schematic - Series LFM110-10

Basic Valve



| Item | Description | Material |
|------|--------------------------------|--|
| 1 | Pipe Plug | Lead Free Brass |
| 2 | Cover | ASTM A536 65-45-12 Epoxy Coated Ductile Iron |
| 3 | Cover Bearing | ASTM A276 304 Stainless Steel |
| 4 | Stud with Cover Nut and Washer | ASTM A570 Gr.33 Zinc Plated Steel |
| 5 | Body | ASTM A536 65-45-12 Epoxy Coated Ductile Iron |
| 6 | Spring | ASTM A276 302 Stainless Steel |
| 7 | Stem Nut | ASTM A276 304 Stainless Steel |
| 8 | Lock Washer | ASTM A276 304 Stainless Steel |
| 9 | Stem Washer | ASTM A276 304 Stainless Steel |
| 10 | Diaphragm Washer | ASTM A536 65-45-12 Epoxy Coated Ductile Iron |
| 11 | Diaphragm* | Buna-N (Nitrile) |
| 12 | Disc Retainer | ASTM A536 65-45-12 Epoxy Coated Ductile Iron |
| 13 | Seat Disc* | Buna-N (Nitrile) |
| 14 | Spacer Washer* x5 | NY300 Fiber* |
| 15 | Disc Guide | ASTM A743 CF8M (316) Stainless Steel |
| 16 | Shaft | ASTM A276 304 Stainless Steel |
| 17 | Seat Ring** | ASTM A743 CF8M (316) Stainless Steel |
| 17A | Seat Screw** (8" and Larger) | ASTM A276 304 Stainless Steel |
| 18 | Seat Gasket* | Buna-N (Nitrile) |

* Contained in Main Valve Repair Kit

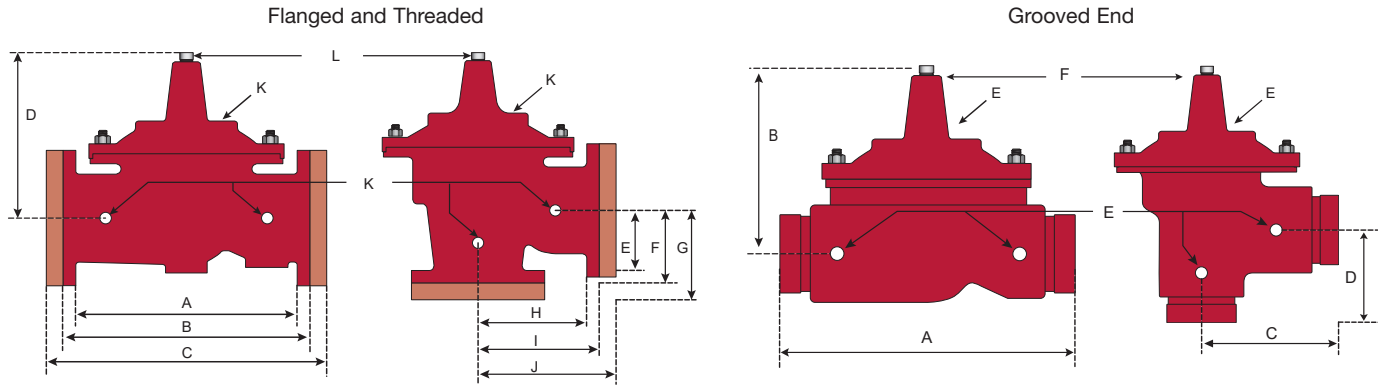
**Note: 6 inch and Smaller Valves, Seat Ring is threaded

NOTICE

Installation: If unit is installed in any orientation other than horizontal (cover up) OR extreme space constraints exist, consult customer service prior to or at the time of order.

ACV Schematic - Series LFM110-10

Dimensions



Flanged and Threaded Dimensions

| Valve Size | Globe Thread | | Globe 150# | | Globe 300# | | Cover To Center | | Angle Thread | | Angle 150# | | Angle 300# | | Angle Thread | | Angle 150# | | Angle 300# | | Port Size NPT | Port Size NPT | Shipping Weights* | |
|------------|--------------|-----|------------|------|------------|------|-----------------|-----|--------------|-----|------------|-----|------------|-----|--------------|-----|------------|-----|------------|-----|---------------|---------------|-------------------|------|
| | A | B | C | D | E | F | G | H | I | J | K | L | | | | | | | | | | | | |
| 1¼ | 7¼ | 184 | | | 5½ | 140 | | | | | | | | | | | | | | ¾ | ¼ | 20 | 9 | |
| 1½ | 7¼ | 184 | 8½ | 216 | | | 5½ | 140 | ¾ | 83 | | | | | 1⅞ | 48 | | | | ¾ | ¼ | 25 | 11 | |
| 2 | 9⅞ | 238 | 9⅞ | 238 | 10 | 254 | 6¾ | 171 | 4¼ | 120 | 4¼ | 121 | 5 | 127 | ¾ | 83 | ¾ | 83 | 3½ | 89 | ¾ | ½ | 40 | 18 |
| 2½ | 11 | 279 | 11 | 279 | 11⅞ | 295 | 7½ | 191 | 5½ | 140 | 5½ | 140 | 5⅞ | 149 | 4 | 102 | 4 | 102 | 4⅞ | 110 | ½ | ½ | 65 | 29 |
| 3 | 12½ | 318 | 12 | 305 | 13¼ | 337 | 8¼ | 210 | 6¼ | 159 | 6 | 152 | 6⅞ | 162 | 4½ | 114 | 4 | 102 | 4⅞ | 111 | ½ | ½ | 95 | 43 |
| 4 | | | 15 | 381 | 15⅞ | 397 | 10⅞ | 270 | | | 7½ | 191 | 7⅞ | 200 | | | 5 | 127 | 5⅞ | 135 | ¾ | ¾ | 190 | 86 |
| 6 | | | 20 | 508 | 21 | 533 | 13 | 330 | | | 10 | 254 | 10½ | 267 | | | 6 | 152 | 6½ | 165 | ¾ | ¾ | 320 | 145 |
| 8 | | | 25⅞ | 645 | 26⅞ | 670 | 16 | 406 | | | 12¾ | 324 | 13¼ | 337 | | | 8 | 203 | 8½ | 216 | 1 | 1 | 650 | 295 |
| 10 | | | 29¾ | 756 | 31⅞ | 791 | 17 | 430 | | | 14⅞ | 378 | 15⅞ | 395 | | | 8⅞ | 219 | 9⅞ | 237 | 1 | 1 | 940 | 426 |
| 12 | | | 34 | 864 | 35½ | 902 | 20⅞ | 530 | | | 17 | 432 | 17¾ | 451 | | | 13¾ | 349 | 14½ | 368 | 1 | 1¼ | 1500 | 680 |
| 14 | | | 39 | 991 | 40½ | 1029 | 24¼ | 616 | | | | | | | | | | | | | 1 | 1½ | 1675 | 760 |
| 16 | | | 41⅞ | 1051 | 43½ | 1105 | 25¼ | 640 | | | | | | | | | | | | | 1 | 2 | 3100 | 1406 |

Grooved End Dimensions

| Valve Size | Globe Grooved | | Cover To Center | | Angle Grooved | | Angle Grooved | | Port Size (npt) | Port Size (npt) | Shipping Weights* | |
|------------|---------------|-----|-----------------|-----|---------------|-----|---------------|-----|-----------------|-----------------|-------------------|-----|
| | A | B | C | D | E | F | | | | | | |
| 1¼ | 8½ | 216 | 5½ | 140 | 4¼ | 108 | ¾ | 83 | ¾ | ¼ | 25 | 11 |
| 1½ | 8½ | 216 | 5½ | 140 | 4¼ | 108 | ¾ | 83 | ¾ | ¼ | 25 | 11 |
| 2 | 9 | 229 | 6½ | 165 | 4¾ | 121 | ¾ | 83 | ¾ | ½ | 40 | 18 |
| 2½ | 11 | 279 | 7½ | 191 | 5½ | 140 | 4 | 102 | ½ | ½ | 65 | 29 |
| 3 | 12½ | 318 | 8¼ | 210 | 6 | 152 | 4¼ | 108 | ½ | ½ | 95 | 43 |
| 4 | 15 | 381 | 10⅞ | 270 | 7½ | 191 | 5 | 127 | ¾ | ¾ | 190 | 86 |
| 6 | 20 | 508 | 13⅞ | 340 | | | | | ¾ | ¾ | 320 | 145 |
| 8 | 25⅞ | 645 | 16 | 406 | | | | | 1 | 1 | 650 | 295 |

LEAD FREE*

Model F10-11

Modulating Float Pilot

Size: 3/8" MIP

The Model F10-13 Modulating Float Pilot is designed to maintain a constant water level in a water storage tank. The Float Pilot opens and closes as water level rises and falls in the storage tank. As water level rises the Float Pilot closes which will direct pressure into the main valve cover chamber closing the main valve. As water level falls the Float Pilot opens allowing flow out of the main valve cover chamber opening the valve.



Model F10-11
Lead Free Brass Standard

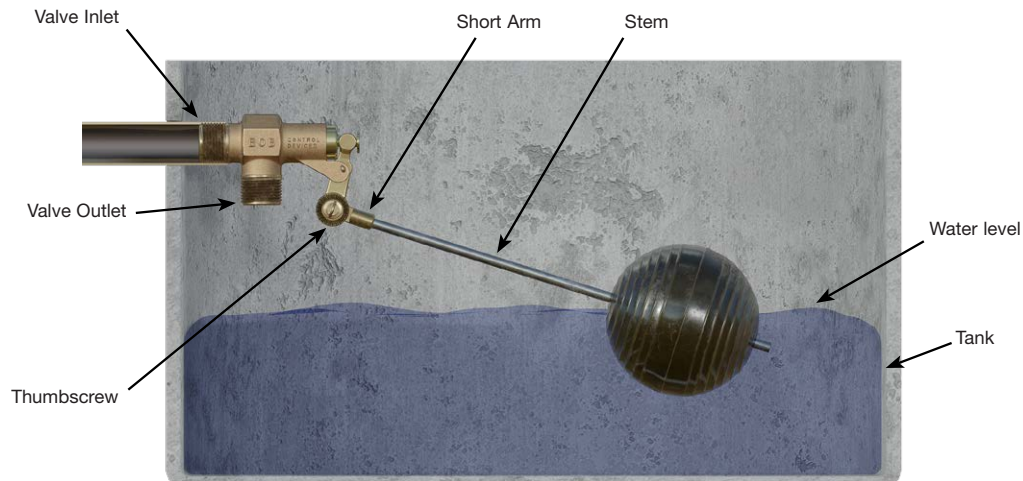
Model F10-11 Flow Capacity

| PART ID | PIPE SIZE | | WEIGHT LBS. | FREE DISCHARGE FLOW CAPACITY | |
|---------|-----------|----------|----------------|------------------------------|--------|
| | Inlet | Outlet | | 35 PSI | 85 PSI |
| 2990-03 | 3/8" MIP | 3/8" MIP | 0.44 | 9 GPM | 13 GPM |

Specifications

- Body Material:** Lead Free Brass
Stainless Steel (optional)
- Connector Type:** NPT
- Max Pressure:** 100 pounds per square inch

*The wetted surface of this product contacted by consumable water contains less than 0.25% of lead by weight.



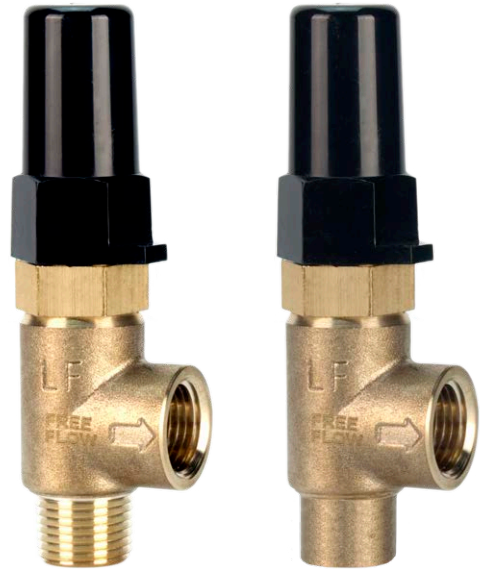
LEAD FREE*

Model LFFC

Flow Control

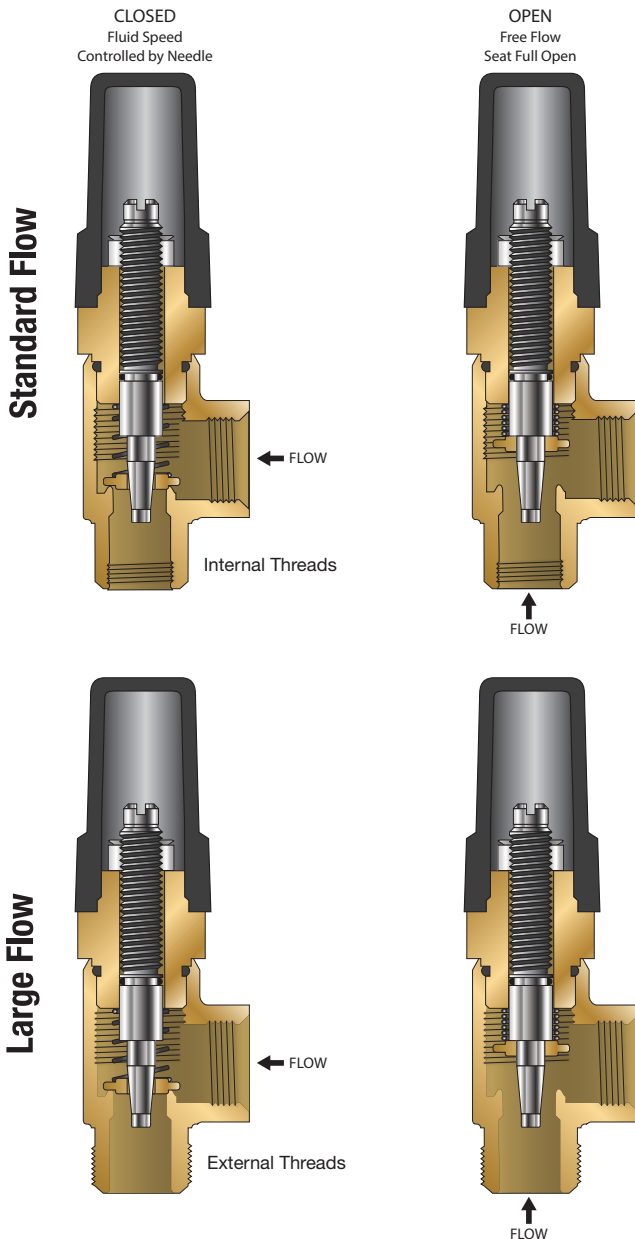
Size: Standard Flow - 1/2" MNPT x 3/8" FNPT
 High Flow - 1/2" MxF NPT

A Flow Control is an adjustable device used for tuning valve performance. It can be installed to either control the opening or closing the speed of the automatic control main valve. When the flow is in the direction of the needle the flow control is an adjustable restriction. In the free flow direction the seat moves out of the flow path to all unrestricted flow.



Large Flow Control

Standard Flow Control



Specifications

- Size: Standard Flow - 1/2" MNPT x 3/8" FNPT
 High Flow - 1/2" MxF NPT
- Body Material: Lead Free Brass
 Stainless Steel (optional)
- Seat: Lead Free Brass
- Needle: Stainless Steel (304)
- Elastomers: Buna-N (standard)

*The wetted surface of this product contacted by consumable water contains less than 0.25% of lead by weight.

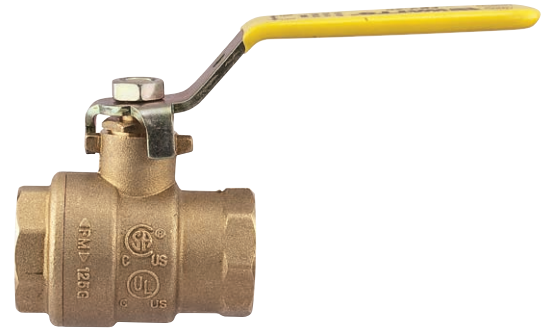
LEAD FREE*

Model BV

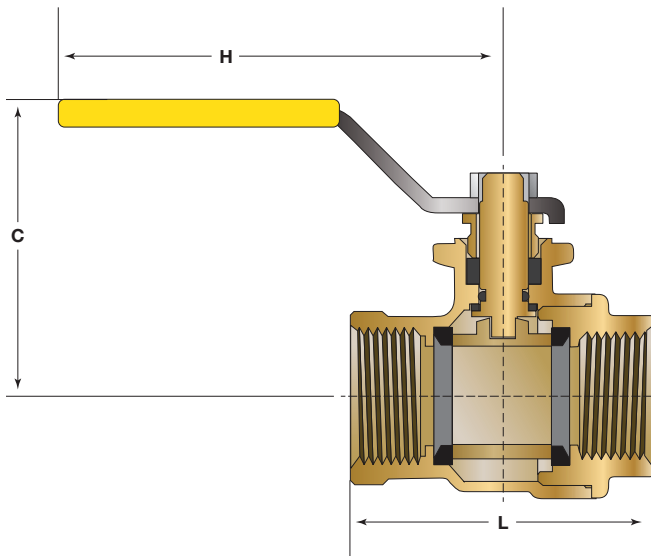
Ball Valve

Size: ¼" – 1" NPT

Model BV Ball Valves are used in pilot lines to provide a positive shutoff in any override or maintenance situation for simple trouble shooting. This 2-piece, full port valve features: bottom loaded stems, PTFE seats and packing.



Lead Free Ball Valve



Specifications

Standard Material: Copper Silicon Alloy Body and Adaptor
Chrome Plated Ball

Optional Material: Stainless Steel Housing, Body and Adaptor
Stainless Steel Ball

Pressure Rating: 600psi (41 bar) Non Shock

Temp Rating: -40°F - 400°F

*The wetted surface of this product contacted by consumable water contains less than 0.25% of lead by weight.

| Size | Dimensions | | | | | | Weight | |
|------|---------------------------------|----|--------------------------------|-----|---------------------------------|----|--------|-----|
| | C | | H | | L | | | |
| in. | in. | mm | in. | mm | in. | mm | lbs. | kg. |
| ¼ | 1 ¹³ / ₁₆ | 46 | 3 ⁷ / ₁₆ | 87 | 1 ³ / ₄ | 45 | 0.4 | 0.2 |
| ⅜ | 1 ¹³ / ₁₆ | 46 | 3 ⁷ / ₁₆ | 87 | 1 ³ / ₄ | 45 | 0.4 | 0.2 |
| ½ | 1 ¹³ / ₁₆ | 46 | 3 ⁷ / ₁₆ | 87 | 1 ¹⁵ / ₁₆ | 50 | 0.4 | 0.2 |
| ¾ | 2 ¹ / ₄ | 57 | 4 | 101 | 2 ⁵ / ₁₆ | 59 | 0.8 | 0.3 |

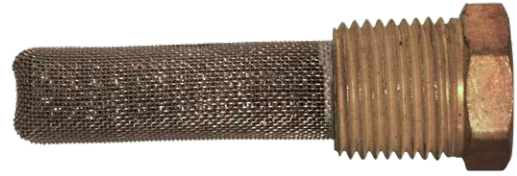
LEAD FREE*

Model LF60

Flo-Clean Strainer

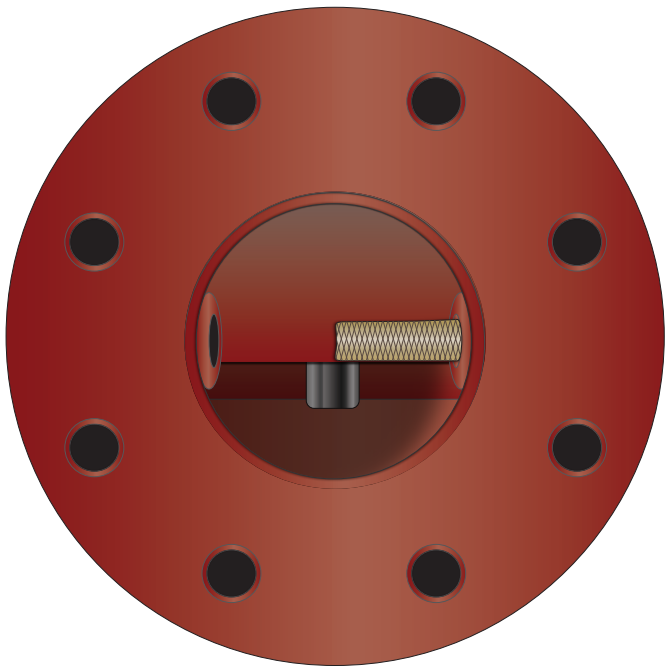
Size: 1/4" - 3/4" NPT

Model LF60 Flo-Clean Strainers are used to filter the fluid passing through the pilot circuit, and provide protection to pilot circuit speed controls and pilots. It is installed in the inlet body port of the Main Valve, exposing the strainer element to main line flow. The currents and flow across the screen create a self-scouring effect, cleaning the filter element.



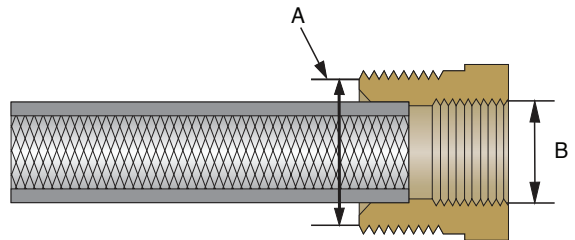
Model LF60

Valve inlet with Filter installed



Specifications

| | |
|------------------|--|
| Body Material: | Lead Free Brass (standard) Stainless Steel (optional) |
| Pressure Rating: | 400psi (27.6 bar) |
| Filter Element: | Monel |
| Screen Mesh: | 40 Mesh (standard) |



| A | B |
|------------------|--------------------|
| Male Pipe Thread | Female Pipe Thread |
| in. | in. |
| 1/4 | 1/8 |
| 3/8 | 1/4 |
| 1/2 | 3/8 |

*The wetted surface of this product contacted by consumable water contains less than 0.25% of lead by weight.

LEAD FREE*

Model LF60-1

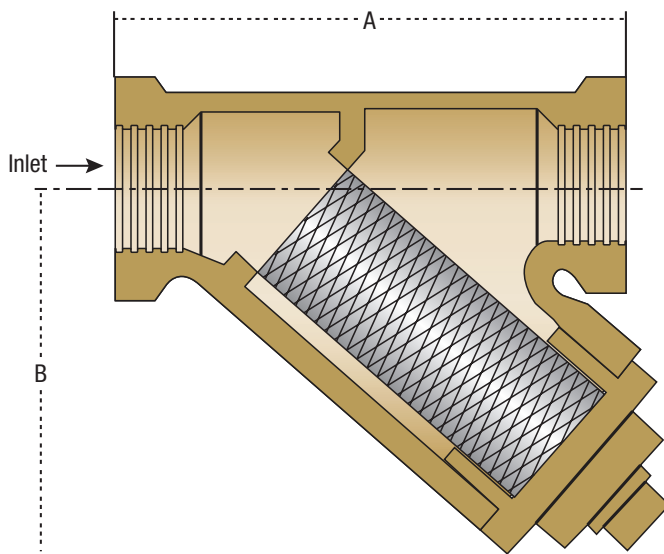
Y-Pattern Strainer

Size: ¼" – ¾" NPT

Model LF60-1 Y-Pattern Strainers are used to filter the fluid passing through the pilot circuit, and provide protection to pilot circuit speed controls and pilots. The filter element can be accessed for cleaning by removing the clean-out cap, or may be cleaned by installing an optional "blow-down" ball valve.



Model LF60-1



Specifications

- Body Material: Lead Free Copper Silicon Alloy
CF8M (316) Stainless Steel (optional)
- Retainer Cap: Lead Free Copper Silicon Alloy
- Cap Gasket: EPDM
- Pressure Rating: 400psi (27.6 bar)
- Filter Element: 304 Stainless Steel
- Mesh Options: 60 Mesh (standard)
100 Mesh (optional)

*The wetted surface of this product contacted by consumable water contains less than 0.25% of lead by weight.

Dimensions

| SIZE | DIMENSIONS | | | | WEIGHT | |
|------|---------------------------------|----|---------------------------------|----|--------|------|
| | A | | B | | lbs. | kgs. |
| in. | in | mm | in | mm | | |
| ¼ | 2 ¹¹ / ₁₆ | 68 | 1 ¹¹ / ₁₆ | 43 | 1.7 | 0.77 |
| ⅜ | 2 ¹¹ / ₁₆ | 68 | 1 ¹¹ / ₁₆ | 43 | 1.7 | 0.77 |
| ½ | 3 | 76 | 2 | 51 | 1.7 | 0.77 |
| ¾ | 3 ⁵ / ₁₆ | 84 | 2 ⁵ / ₁₆ | 59 | 1.7 | 0.77 |

LEAD FREE*

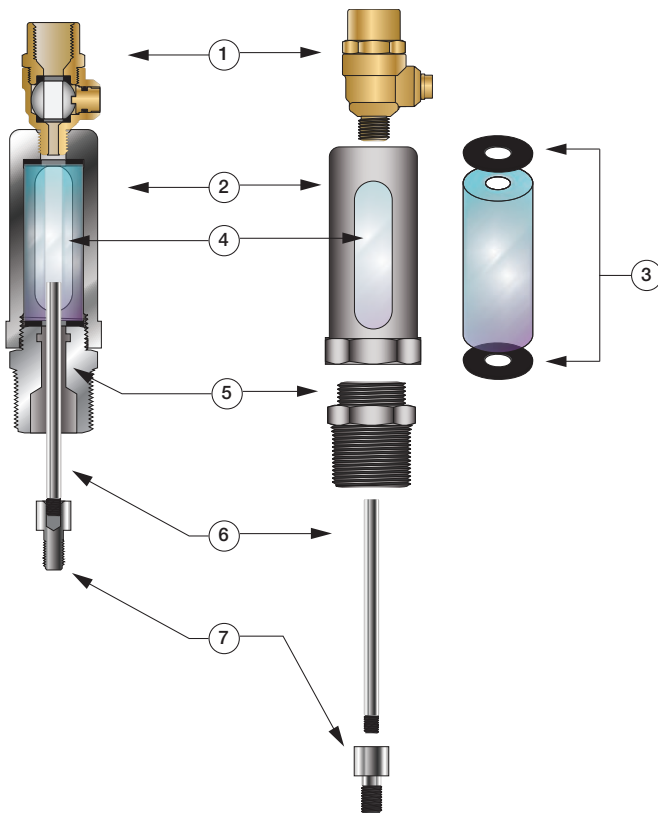
Model 50
Position Indicator

When specified as an option on a Control Valve, the Model 50 Position Indicator is installed in the topmost cover port of the Main Valve and allows for visual indication of valve position. The Model 50 is also very useful during valve start-up and troubleshooting procedures.

A stainless steel indicating rod threads into the tapped portion of the Main Valve stem and moves inside of a cylindrical Pyrex sight tube. The indicating rod travels up and down, following Main Valve stem movement. The housing protects the sight tube and indicating rod, and allows visibility on two sides. The screw driver operated test cock installed on the top of the Model 50 housing provides a controlled method of removal of air from the cover chamber during start-up or troubleshooting of the Main Valve.



Model LF50



| Item | Description |
|------|-----------------------------|
| 1 | Test Cock |
| 2 | Housing |
| 3 | Gasket |
| 4 | Pyrex Sight Tube |
| 5 | Body |
| 6 | Indicating Rod |
| 7 | Stem Adaptor (8" or Larger) |

Specifications

Standard Material: Stainless Steel Housing and Body
Stainless Steel Indicating Rod
Lead Free Test Cock
Pyrex Sight Tube

Optional Material: Stainless Steel Test Cock

Pressure Rating: 400psi (27.6 bar)

*The wetted surface of this product contacted by consumable water contains less than 0.25% of lead by weight.

Dimensions

| Valve Size (in) | Dimension (in) |
|-----------------|----------------|
| 1¼ - 1½ | 7⅝ |
| 2 | 4⅞ |
| 2½ | 4⅞ |
| 3 | 4⅞ |
| 4 | 5 |
| 6 | 5 |
| 8 | 5⅞ |
| 10 | 5⅞ |
| 12 | 7¼ |
| 14 | 7¼ |
| 16 | 7¼ |
| 18* | 7¼ |
| 20* | 7¼ |
| 24* | 7¼ |

*Reduced Port

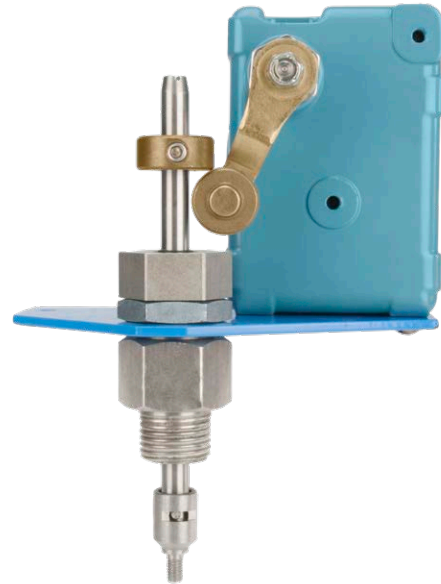
LEAD FREE*

Model 51

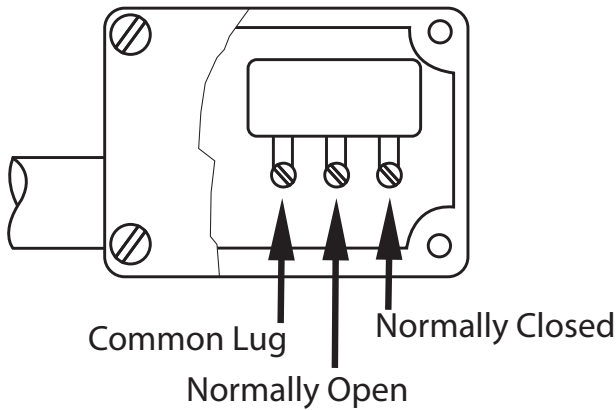
Single Limit Switch

The Model 51 Single Limit Switch provides visual indication of valve position, as well as remote electrical indication of "valve open" or "valve closed". The single pole double throw Micro-Switch can be connected to open or close an electrical circuit when the valve opens or closes.

The adjustable collar is normally set to contact the trip arm when the main valve is closed. The collar can be positioned on the stem by loosening the set-screw to actuate the switch at the desired point of valve travel.



Model LF51



Single Pole Double Throw Switch

Specifications

- Body Material: Stainless Steel
- Elastomers: Buna-N (standard)
EPDM (optional)
Viton™ (optional)
- Enclosure: NEMA 1, 3, 4 and 13 General Purpose (standard)
NEMA 1, 7 and 9 Explosion Proof (optional)
- Electrical: Form C SPDT Switch
15 amp. 125, 250 or 480 VAC
½ amp. 125 VDC
¼ amp. 250 VDC
½" Conduit Connection

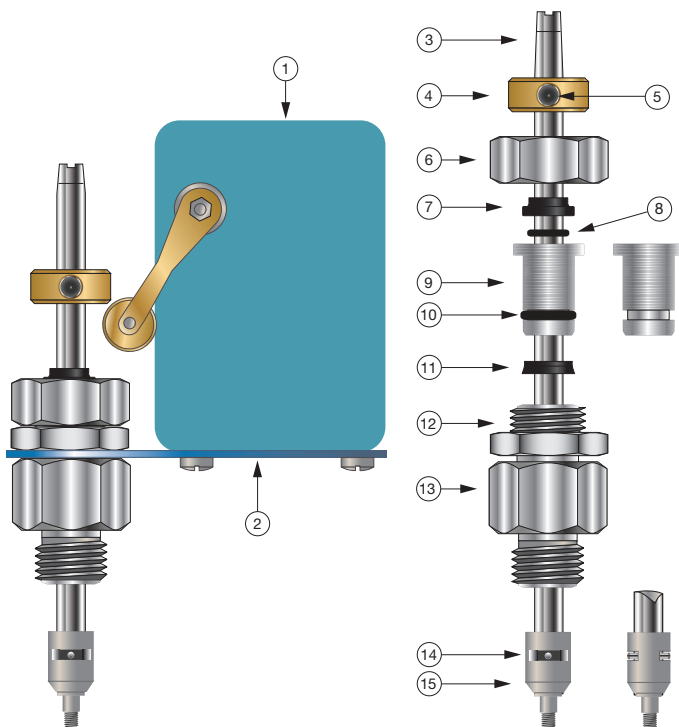
Viton™ is a trademark of The Chemours Company FC, LLC

*The wetted surface of this product contacted by consumable water contains less than 0.25% of lead by weight.

Parts List

| Item | Description |
|------|--------------|
| 1 | Limit Switch |
| 2 | Bracket |
| 3 | Stem |
| 4 | Trip collar |
| 5 | Set Screw |
| 6 | Cap |
| 7 | Wiper Ring* |
| 8 | O-Ring* |
| 9 | Guide |
| 10 | O-Ring* |
| 11 | Polypak* |
| 12 | Locknut |
| 13 | Body |
| 14 | Pin |
| 15 | Coupling |

*Included in Repair Kit

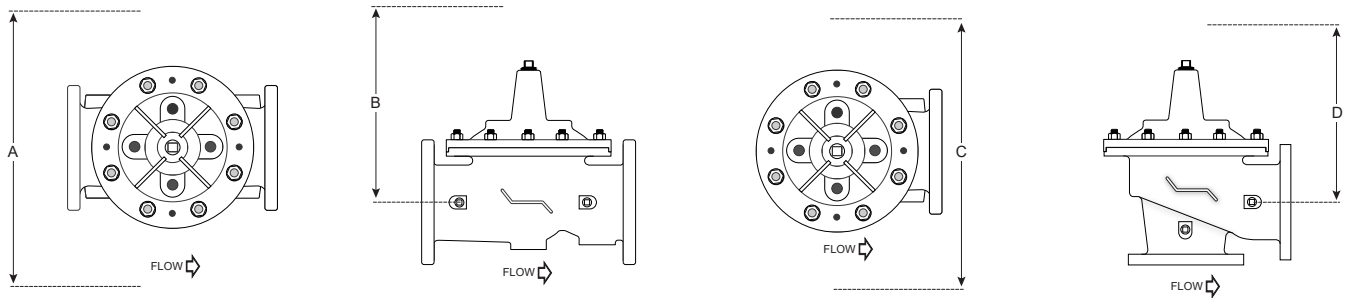


Installation

Start-up of an automatic control valve requires that proper procedures be followed. Time must be allowed for the valve to react to adjustments and the system to stabilize. The objective is to bring the valve into service in a controlled manner to protect the system from damaging over-pressure.

1. Prior to installation, flush line to remove debris.
2. Install valve so the flow arrow matches flow through the line, and gauges to monitor valve inlet and outlet pressures. A Position Indicator can be installed to provide visual indication of valve position and operation without disassembly.
3. Install isolation valves upstream and downstream of the main valve.
4. Provide adequate clearance for valve servicing and maintenance. Refer to valve servicing dimensions on next page. Avoid installing valves 6" and larger in the vertical position (main valve stem horizontal). Automatic Control Valves (ACVs) are designed for horizontal in-line installation, with the cover facing up (main valve stem vertical). Slow operation or premature stem and guide wear may occur if valve is not installed according to factory recommendations. Consult factory for detailed engineering review prior to ordering if valve is to be installed other than horizontally in-line.
5. If valve is equipped with a pilot control system, extra precautions should be made during installation to protect the piping circuit from damage. Only remove the pilot control system from the valve if necessary. Tubing and fittings should be kept clean and replaced exactly as removed. Consult appropriate hydraulic schematic to ensure proper re-assembly.
6. Install float control onto tank and connect line to valve per instructions in the **Setting the Float Control Valve** Section on the following page.
7. Adjust float arm to the high-level setting – the float pilot should be closed.

Valve Servicing Dimensions



The following tables detail the recommended minimum valve servicing dimensions.

Globe

| Size (in) | 1¼ | 1½ | 2 | 2½ | 3 | 4 | 6 | 8 | 10 | 12 | 14 | 16 | 20 | 24 |
|-----------|----|----|----|----|----|----|----|----|----|----|----|----|----|----|
| A (in) | 16 | 16 | 20 | 22 | 22 | 24 | 32 | 34 | 38 | 44 | 48 | 52 | 56 | 56 |
| B (in) | 10 | 10 | 12 | 14 | 14 | 16 | 24 | 26 | 28 | 30 | 34 | 40 | 48 | 48 |

Angle

| Size (in) | 1¼ | 1½ | 2 | 2½ | 3 | 4 | 6 | 8 | 10 | 12 | 14 | 16 |
|-----------|----|----|----|----|----|----|----|----|----|----|----|----|
| C (in) | 16 | 16 | 20 | 22 | 22 | 24 | 32 | 34 | 38 | 44 | 48 | 52 |
| D (in) | 10 | 10 | 12 | 14 | 14 | 16 | 24 | 26 | 28 | 30 | 34 | 40 |

Setting the Float Control Valve

STEP 1

Closing Speed –Turn the adjustment screw on the Closing Speed Control OUT, counterclockwise, 1½ to 2½ turns from full closed position.

STEP 2

To ensure proper operation, any trapped air will need to be bled off the valve cover during startup. The ACV includes a bleed valve, use a flat head screwdriver to slowly open the valve (See Figure 1).

STEP 3

Pressure the line, by opening the upstream isolation valve slowly. Air is vented through the air bleed valve. Tighten the fitting when liquid begins to vent (See Figure 1).

STEP 4

Slowly open downstream isolation valve to establish flow through the system.



Figure 1
Position Indicator

STEP 5

Closing Speed Needle Valve Adjustment: The closing speed needle valve regulates fluid pressure into the main valve cover chamber, controlling the valve closing speed. If valve closing is too slow, turn the adjustment screw OUT, counterclockwise, increasing the rate of closing.

(If Installed) **Opening Speed Flow Control Adjustment:** The Opening speed needle valve restricts flow out of the cover of the main valve.

If the main valve is opening too slowly turn the adjustment screw OUT, counterclockwise, increasing the rate of opening (See Figure 2B).

If the main valve is opening too quickly, turn the adjustment screw IN, clockwise, decreasing the rate of opening (See Figure 2A).

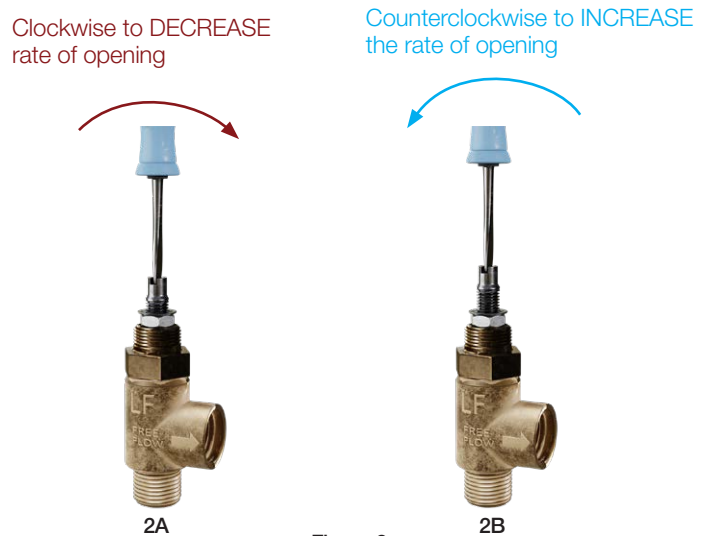


Figure 2
Flow Control

STEP 6

When installing float, set angle similar to Figure 3 by adjusting F10-11 modulating float pilot linkage screw shown in Figure 4.

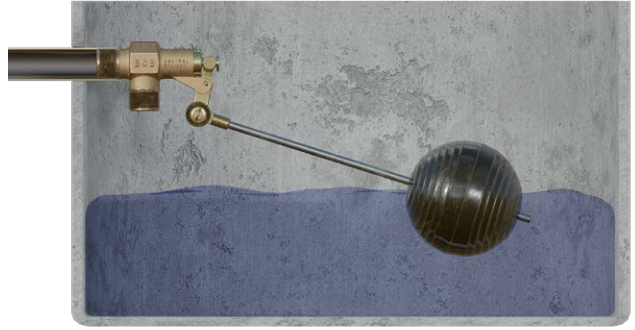


Figure 3
Modulating Float Control Pilot in tank

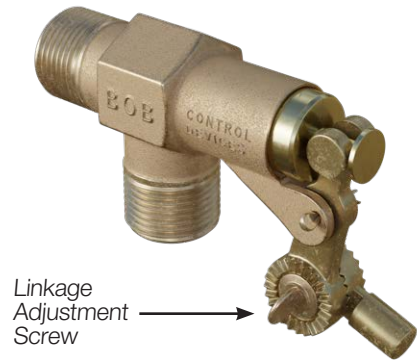


Figure 4
Modulating Float Control Pilot

Automatic Control Valve Maintenance Schedule

To ensure peak performance and longevity of your automatic control valve, Watts/Ames recommends following the below standard maintenance schedule.

• Monthly Maintenance

- Visual inspection of valve(s) for leaks
- Inspect for proper operation(s); exercise valve.

• Quarterly Maintenance

- Conduct monthly inspection.
- Validate/Re-establish necessary setpoints of controls/pilots.

• Annual Maintenance

- Conduct monthly & quarterly inspections.
- Inspect & clean all strainers.
- Inspect valve coating, touch up as required.

• 3-5 Year Maintenance

- Conduct monthly, quarterly, & annual maintenance.
- Inspect & replace valve elastomers (diaphragm, O-rings, valve/pilot seats)
- Re-establish necessary set points of controls/pilots.

Troubleshooting Guide

⚠ WARNING

Warning: The valve cannot be serviced under pressure. Upstream and downstream Isolation Valves must be installed to protect system piping. Accurate diagnosis and troubleshooting requires the valve to open fully, and may subject downstream piping and equipment to high pressure and/or flow rates. The downstream Isolation Valve should be kept closed while diagnosing the valve.

Extreme caution should be used while performing the troubleshooting techniques listed below.

Recommended tools for diagnosis: (3) PRESSURE GAUGES, installed to monitor the inlet pressure, outlet pressure, and cover chamber pressure. If included, a POSITION INDICATOR should be installed to visually assess the position of the disc & diaphragm assembly.

Test 1: Diaphragm Seal Test

1. Close upstream & downstream isolation valves. Close pilot isolation valves or remove pilot control tubing to isolate valve cover from incoming fluid & pressure. Remove uppermost cover plug, test cock, or limit switch.
2. With the valve cover chamber vented to atmosphere, partially open the upstream isolation valve, allowing incoming pressure to lift the disc & diaphragm assembly. A volume of water will be displaced from the cover chamber as the valve opens; consult valve specification sheets for approximate cover capacity. A continuous flow of water from the open port indicates a damaged diaphragm or loose disc & diaphragm assembly. Disassemble valve and replace diaphragm or tighten disc & diaphragm assembly.

Test 2: Seat Seal Test

1. Close downstream isolation valve and install pressure gauges on an open inlet and outlet port of main valve.
2. Open upstream isolation valve to allow pressure on to the valve cover. Allow valve to fully close.
3. Monitor downstream pressure gauge; reading should hold steady below incoming pressure. If pressure on downstream side rises to match upstream pressure, leakage is occurring through the seat of the main valve. Disassemble valve, inspect and repair/replace any required parts.
 - a. If gauge pressure rises to match outlet pressure (downstream of closed isolation valve) yet remains below inlet pressure, the isolation valve may be leaking as opposed to main valve seat.

Test 3: Freedom of Movement/Valve Travel Test

1. Close upstream and downstream isolation valves. Install valve position indicator.
2. Partially open upstream isolation valve and allow cover to fill with fluid & pressure, closing the valve fully. Mark the position indicator's full closed position.
3. Isolate cover chamber from receiving fluid and pressure by closing isolation valves or removing control tubing.
4. Carefully vent cover chamber to atmosphere by opening test cock or removing a cover plug. Observe the valve position indicator as the valve travels to the full-open position. The disc & diaphragm assembly should move freely from fully closed to fully open position without binding or "grabbing" at any point during its movement.
 - a. The disc & diaphragm assembly may momentarily "hesitate" while travelling from fully closed to fully open position – this is a normal characteristic of diaphragm operated control valves, and does not indicate mechanical binding or improper valve operation.
 - b. A continuous discharge of water from the cover chamber after venting to atmosphere indicates leakage past the diaphragm.
5. If necessary, disassemble valve and inspect/repair disc & diaphragm assembly.

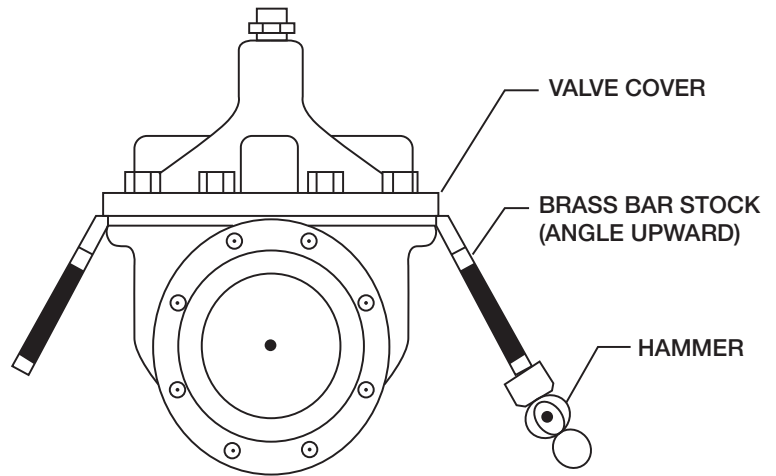
Troubleshooting Guide

| Issue | Possible Cause | Corrective Action | Notes |
|----------------------------------|--|---|---|
| Main Valve will not open | Closed isolation valves in pilot system. | Check isolation valves, ensure open. | |
| | Insufficient supply pressure. | Check upstream pressure. | Depending on water source, supply pressure may not be controlled by valve operator. |
| | Main valve stem assembly corroded/damaged | Inspect stem assembly, clean/replace if necessary. | |
| | Blockage in pilot system. | Inspect & clean any installed pilot system strainers, check orifice/speed controls for blockages. | |
| | Improperly configured opening speed control. | Adjust opening speed control to verify functionality, adjust as required. | Standard setting for opening speed control is 1½ - 2½ turns open from full closed position. Can be adjusted in field. |
| Main Valve will not close | Closed isolation valves in pilot system | Check isolation valves, ensure open. | |
| | Diaphragm is damaged | Conduct diaphragm seal test, repair and replace if necessary. | |
| | Main valve stem assembly corroded/damaged. | Inspect stem assembly, clean/replace if necessary. | |
| | Blockage in main valve. | Perform freedom of movement test; if valve does not close, disassemble and remove blockage. | |
| | Worn/damaged valve seat. | Perform seat sealing check; disassemble and inspect/repair seat if required. | |
| | Improperly configured closing speed control. | Adjust closing speed control to verify functionality, adjust as required. | Standard setting for closing speed control is 1½ - 2½ turns open from full closed position. Can be adjusted in field. |

Valve Disassembly Instructions

Before undertaking valve disassembly, it is recommended to gather the following tools to aid you during the process:

- Small & large adjustable wrenches
- Screwdriver set
- Machinist fine metal file
- Fine wire brush
- Bench vise
- Basic valve IO&M manual
- Hammer & dull cold chisel
- Heavy-duty ratchet & socket set
- Hexagonal wrench set
- 320 grit/fine Emery cloth
- Appropriate technical bulletins for valve start-up procedures.



1. Isolate the valve from line pressure and depressurize it to ensure safe working conditions. Disconnect any electrical connections if so equipped.
2. Carefully remove Position Indicator or Limit Switches if equipped. Remove all tubing, fittings, and Control Pilots necessary to easily access and remove the cover. Remove cover nuts and washers.
3. Remove the cover. If cover is not free to be removed, loosen it by tapping upward along its outside edge with a dull cold chisel, pictured above.
 - a. Large valves may require the installation of lifting “eye” bolts in order to facilitate cover removal; installation ports are provided on the cover for this purpose.
4. Remove the Disc and Diaphragm Assembly from the valve body by lifting straight up.
 - a. Large diameter valves may require a lifting “eye” bolt to be installed in the valve stem accessory threads located on the very top of the valve stem.
5. Before removing Stem Nut, examine stem threads for mineral build-up. Remove deposits with a fine wire brush. Extreme care should be taken not to damage the finish on stem guiding surfaces when disassembling. Avoid applying pipe wrenches to top or bottom stem guide surfaces.
6. After removing the Stem Nut, the remainder of the Disc & Diaphragm Assembly should disassemble easily. Polish stem guide surfaces with fine emery cloth to remove any mineral deposits and inspect for excessive wear. Remove any mineral build-up from other components with wire brush or by using a Mineral Dissolving Solution. Inspect parts for wear and replace if necessary.
7. Inspect valve seat. If seat is not damaged, removal is not necessary. Valve seats 6" and smaller are threaded into the body of the valve and require a seat removal tool (Figure 5) (Table 1 details the tool dimensions for seat removal). Valve seats 8" and larger are held in the valve body with stainless steel cap screws. Remove seat retaining screws and lift seat straight up (Figure 6).

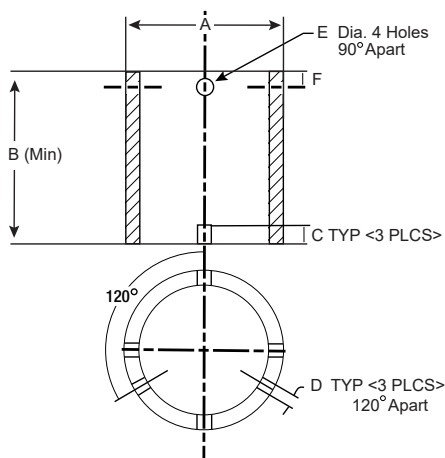


Figure 5

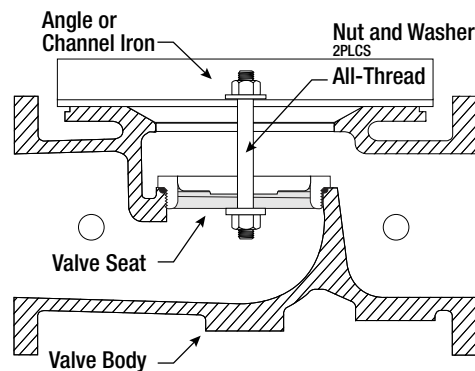


Figure 6

Installation, Operation and Maintenance - Series LFM110-10

Table 1: Seat Removal Tool Dimension

| Size | A | B | C | D | E (Dia.) | F |
|-----------|-----------------------|-------------------------|-----------|-----------|-----------|-----------|
| <i>in</i> | <i>Pipe Size (in)</i> | <i>Min. Length (in)</i> | <i>in</i> | <i>in</i> | <i>in</i> | <i>in</i> |
| 1¼ | 1 | 3.12 | 0.38 | 0.25 | 0.44 | 0.55 |
| 1½ | 1 | 3.12 | 0.38 | 0.25 | 0.44 | 0.50 |
| 2 | 1¼ | 3.38 | 0.38 | 0.25 | 0.44 | 0.50 |
| 2½ | 2 | 4.0 | 0.38 | 0.38 | 0.56 | 0.62 |
| 3 | 2½ | 4.5 | 0.50 | 0.38 | 0.56 | 0.62 |
| 4 | 3 | 5.0 | 0.50 | 0.44 | 0.56 | 0.62 |
| 6 | 5 | 6.50 | 0.62 | 0.44 | 0.56 | 0.62 |

*Schedule 40 steel pipe

- Replace Seat Disc, Diaphragm and Spacer Washers provided in Main Valve repair kit (refer to Table 2 or 3 for correct repair kit part number). Re-assemble in the reverse order of disassembly.

Table 2: Full Port Valve (M100/M1100) Repair Kits

| Size (in) | 1¼ | 1½ | 2 | 2½ | 3 | 4 | 6 | 8 | 10 | 12 | 14 | 16 |
|-----------|---------|---------|---------|---------|---------|---------|---------|---------|---------|---------|---------|---------|
| P/N | 0677-01 | 0677-01 | 0677-02 | 0677-03 | 0677-04 | 0677-05 | 0677-06 | 0677-07 | 0677-08 | 0677-09 | 0677-10 | 0677-11 |

Table 3: Reduced Port Valve (M6100 / M61100) Repair Kits

| Size (in) | 3 | 4 | 6 | 8 | 10 | 12 | 16 | 20 & 24 |
|-----------|---------|---------|---------|---------|---------|---------|---------|---------|
| P/N | 0677-02 | 0677-04 | 0677-05 | 0677-06 | 0677-07 | 0677-08 | 0677-09 | 0677-11 |

- Re-Install Disc and Diaphragm Assembly in the valve, taking care not to damage the lower guide area in the center of the valve seat.
- Re-install Cover Spring. Replace Valve Cover and tighten Cover Nuts in a crossing pattern to ensure even distribution. Test the Disc and Diaphragm Assembly for smooth travel by following the Freedom of Movement Test procedure in previous section.
- Test the integrity of the Seat Seal by following the Seat Seal Test procedure in previous section.
- Return valve to service by following instructions in the **Setting the Float Control Valve** section matching the valve function.

Limited Warranty: Watts Regulator Co. (the "Company") warrants each product to be free from defects in material and workmanship under normal usage for a period of one year from the date of original shipment. In the event of such defects within the warranty period, the Company will, at its option, replace or recondition the product without charge.

THE WARRANTY SET FORTH HEREIN IS GIVEN EXPRESSLY AND IS THE ONLY WARRANTY GIVEN BY THE COMPANY WITH RESPECT TO THE PRODUCT. THE COMPANY MAKES NO OTHER WARRANTIES, EXPRESS OR IMPLIED. THE COMPANY HEREBY SPECIFICALLY DISCLAIMS ALL OTHER WARRANTIES, EXPRESS OR IMPLIED, INCLUDING BUT NOT LIMITED TO THE IMPLIED WARRANTIES OF MERCHANTABILITY AND FITNESS FOR A PARTICULAR PURPOSE.

The remedy described in the first paragraph of this warranty shall constitute the sole and exclusive remedy for breach of warranty, and the Company shall not be responsible for any incidental, special or consequential damages, including without limitation, lost profits or the cost of repairing or replacing other property which is damaged if this product does not work properly, other costs resulting from labor charges, delays, vandalism, negligence, fouling caused by foreign material, damage from adverse water conditions, chemical, or any other circumstances over which the Company has no control. This warranty shall be invalidated by any abuse, misuse, misapplication, improper installation or improper maintenance or alteration of the product.

Some States do not allow limitations on how long an implied warranty lasts, and some States do not allow the exclusion or limitation of incidental or consequential damages. Therefore the above limitations may not apply to you. This Limited Warranty gives you specific legal rights, and you may have other rights that vary from State to State. You should consult applicable state laws to determine your rights. **SO FAR AS IS CONSISTENT WITH APPLICABLE STATE LAW, ANY IMPLIED WARRANTIES THAT MAY NOT BE DISCLAIMED, INCLUDING THE IMPLIED WARRANTIES OF MERCHANTABILITY AND FITNESS FOR A PARTICULAR PURPOSE, ARE LIMITED IN DURATION TO ONE YEAR FROM THE DATE OF ORIGINAL SHIPMENT.**



USA: T: (978) 689-6066 • F: (978) 975-8350 • Watts.com

Canada: T: (888) 208-8927 • F: (905) 481-2316 • Watts.ca

Latin America: T: (52) 55-4122-0138 • Watts.com